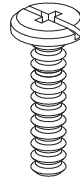


Thank you for purchasing the **Catch All Bench**. This page lists all the contents included in the box. Please take the time to identify the hardware as well as the individual components to this product. As you unpack and prepare for assembly, place the contents on a carpeted or padded area to protect them from damage.  
Note: 2 people are recommended to safely assemble this product.

## hardware



16 - bolts



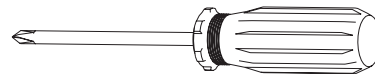
16 - wood dowels



14 - screws

Missing hardware?  
Please call **800.606.6387** for replacements.

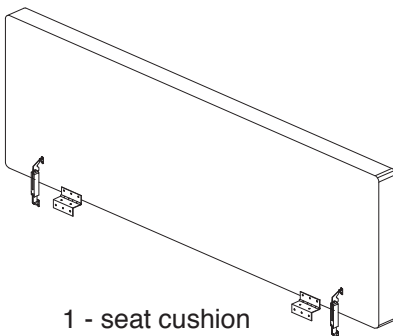
## tools required



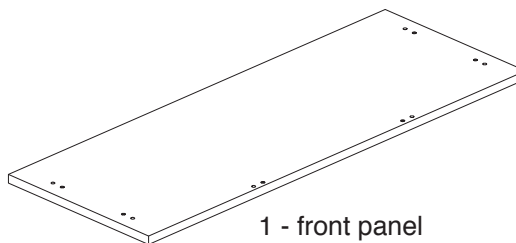
Phillips head screwdriver

(We recommend the use of hand tools instead of power tools)

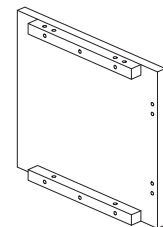
## components



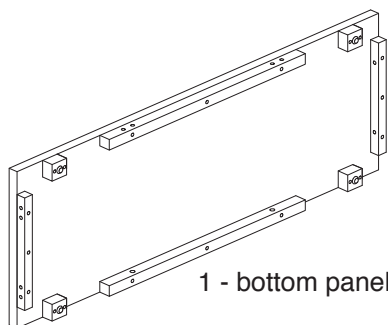
1 - seat cushion



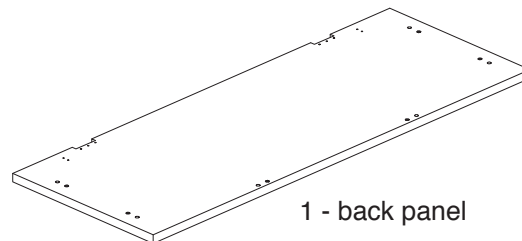
1 - front panel



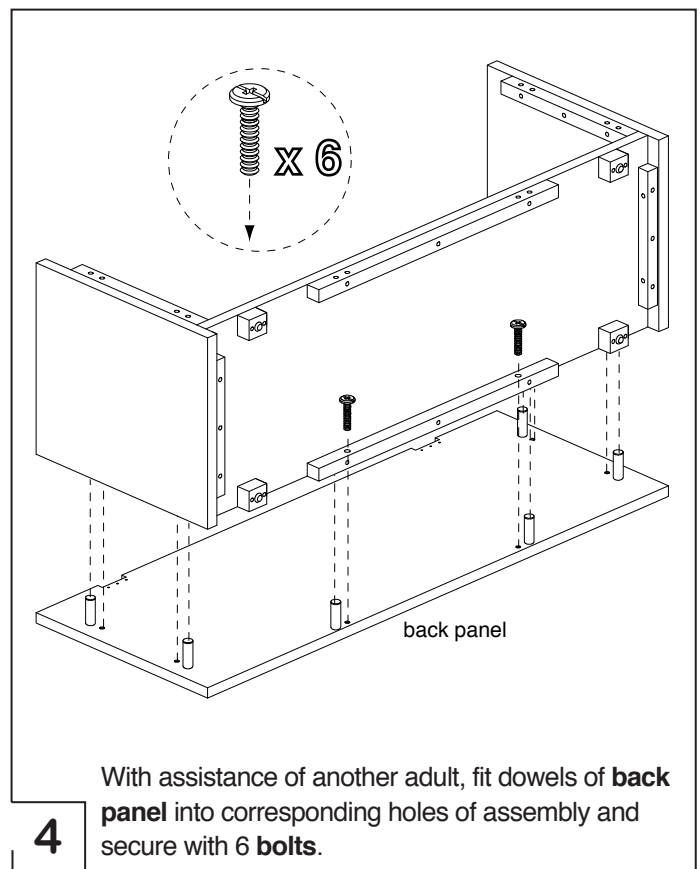
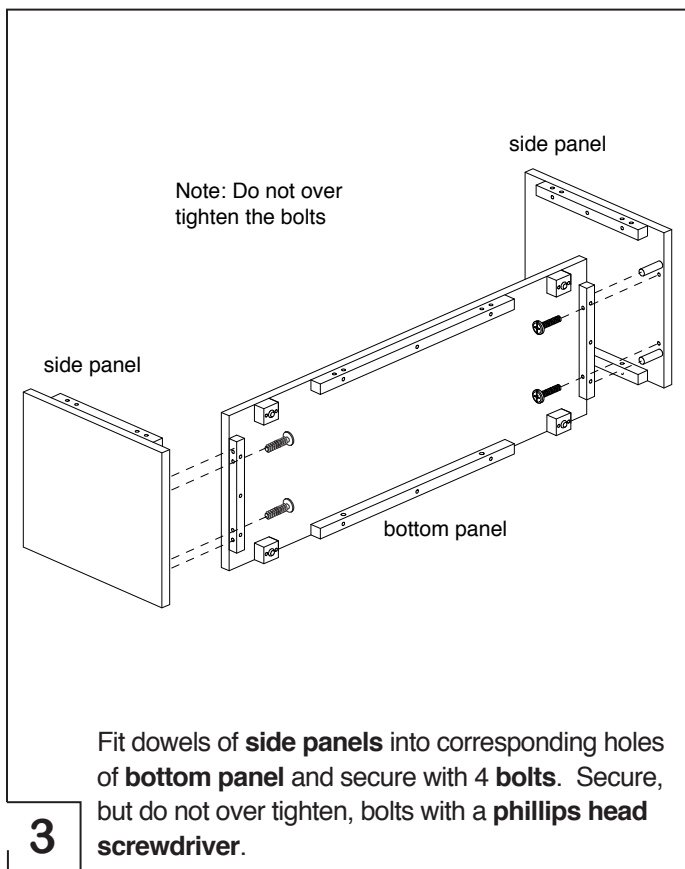
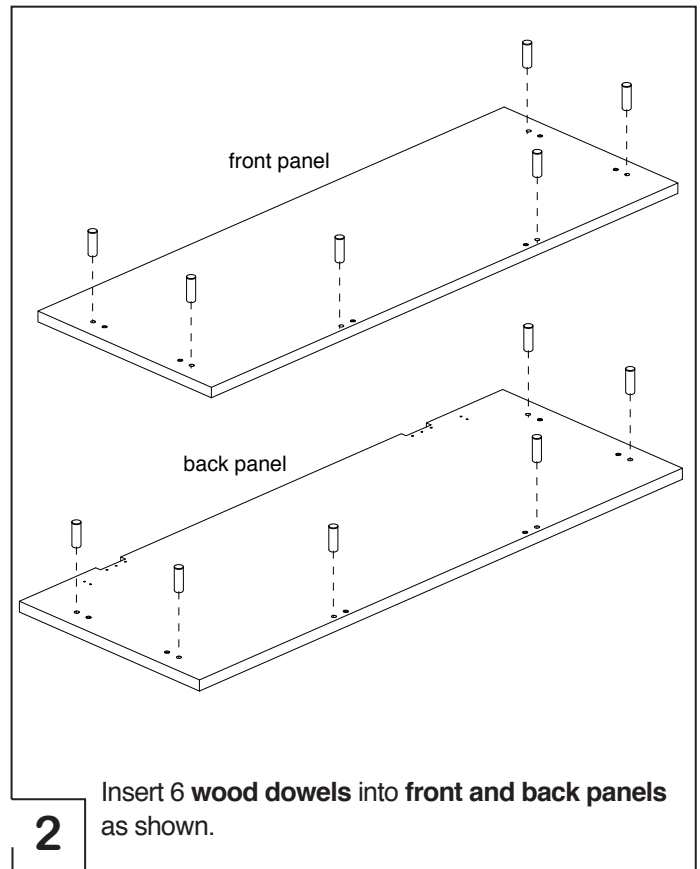
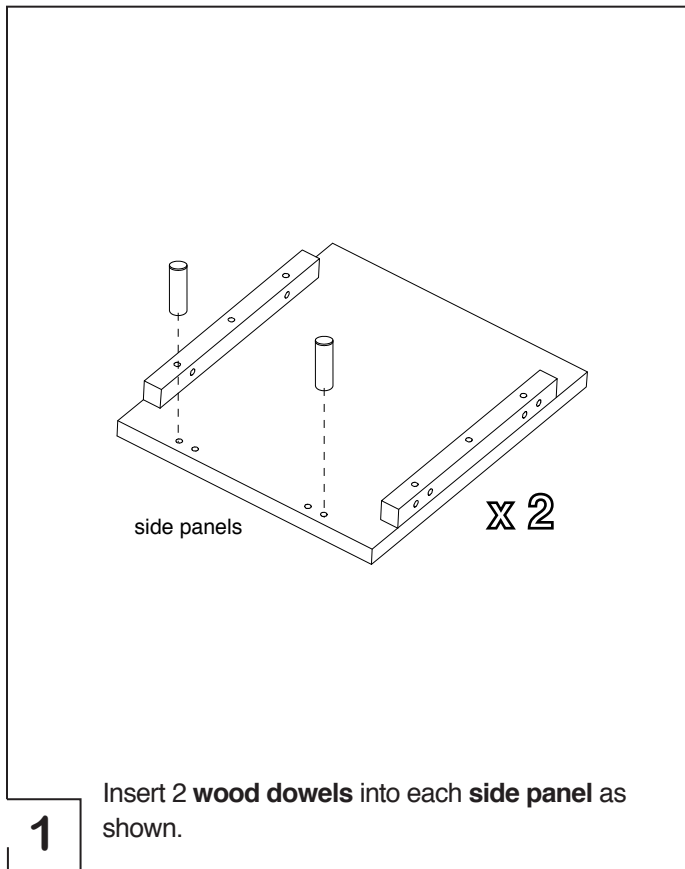
2 - side panels

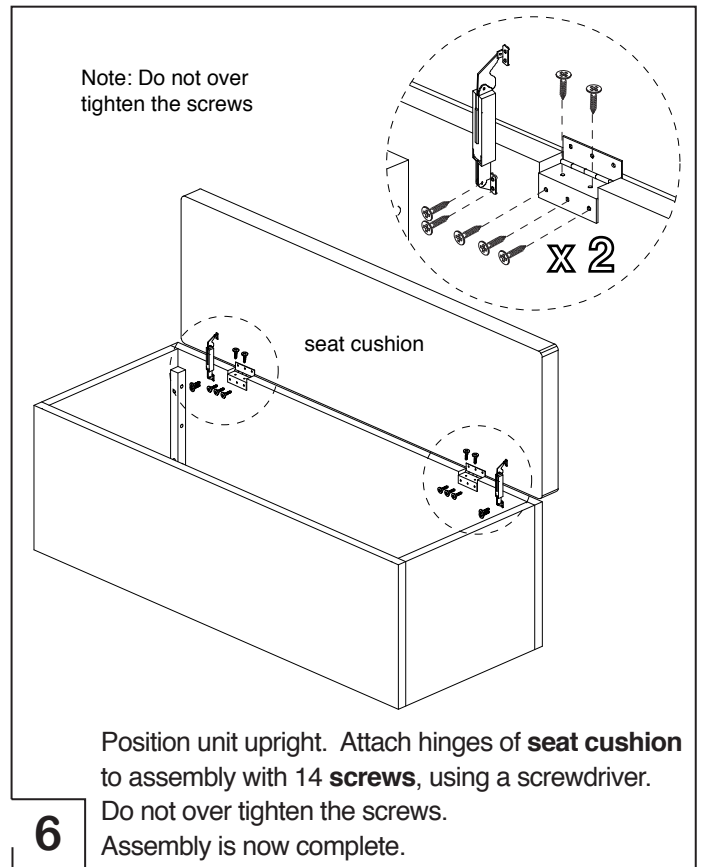
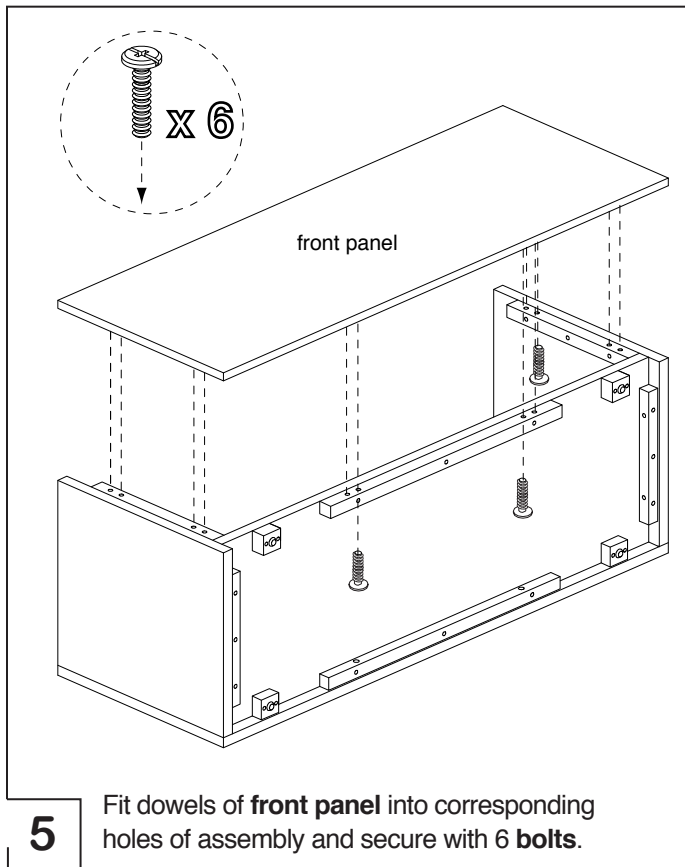


1 - bottom panel



1 - back panel





## cleaning and care

Clean surfaces with a dry or damp soft cloth. Do not use abrasive cleaners.