

Thank you for purchasing the **Carlson Tower**. This page lists all the contents included in the box. Please take the time to identify the hardware as well as the individual components to this product. As you unpack and prepare for assembly, place the contents on a carpeted or padded area to protect them from damage.

Note: 2 people are required to safely assemble this product.

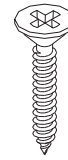
## wall mounting hardware



1 - small bolt



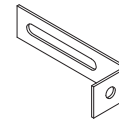
1 - plastic anchor



1 - large screw



4 - adjustable feet

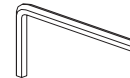


1 - wall bracket

Missing hardware?

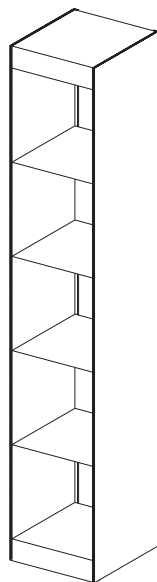
Please call **800.606.6387** for replacements.

## tools required

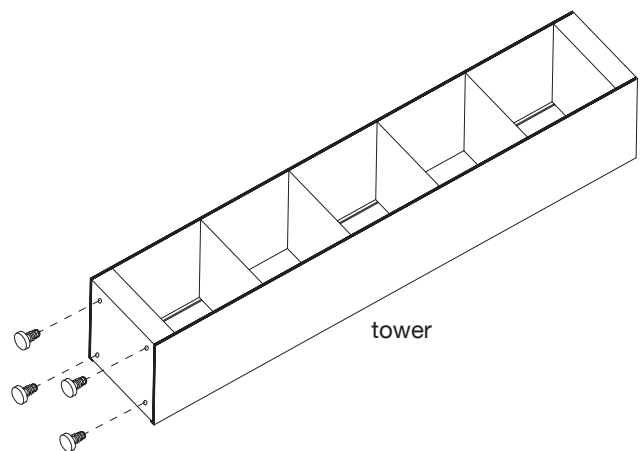


allen wrench (included)

## components



1 - tower assembly



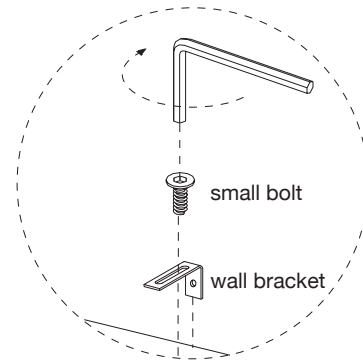
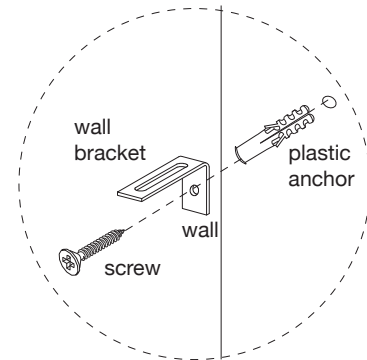
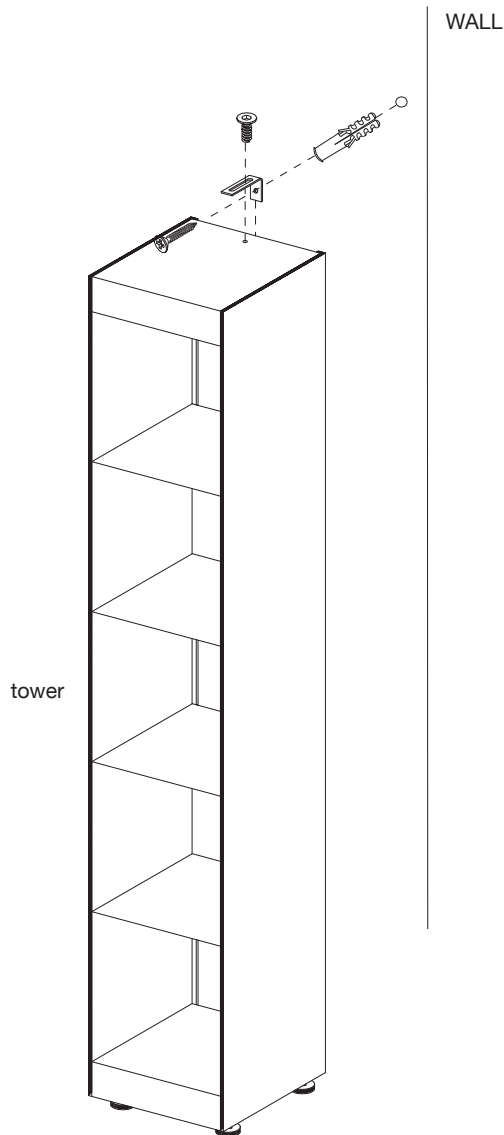
With the assistance of another adult carefully place tower on a clean padded surface as shown. Attach 4 **adjustable feet** to bottom of tower as shown. Turn feet clockwise to secure. Carefully place unit upright.

1

## wall mounting assembly

**These instructions are for drywall mounting only.**

For safe installation it is essential to use hardware appropriate for your wall type. Mount to wood wall studs whenever possible. If you are unsure of what type of fasteners to use, consult your local hardware store or a qualified professional. This product is only deterrent, it is not a substitute for proper adult supervision.



- A. Attach **wall bracket** to the top of the assembled unit with 1 **small bolt**. Do not fully tighten the bolt.
- B. With the assistance of another adult, place the unit in desired location against the wall. Mark the location of the hole in the bracket on the wall. Detach small bolt and wall bracket from tower. Move tower out of the workspace.
- C. Drill a hole slightly smaller in diameter than the **plastic anchor**. Insert the plastic anchor into the hole until it is flush to the wall.
- D. Attach **wall bracket** to wall with 1 **large screw** with a **phillips head screwdriver**. Make sure screw is securely fastened into **plastic anchor**. Move tower back into place and re-attach wall bracket to top of unit with 1 **small bolt**. Secure bolt with an **allen wrench**. Assembly is now complete.

2

## cleaning & care

Clean surfaces with a dry or damp soft cloth. Do not use abrasive cleaners.