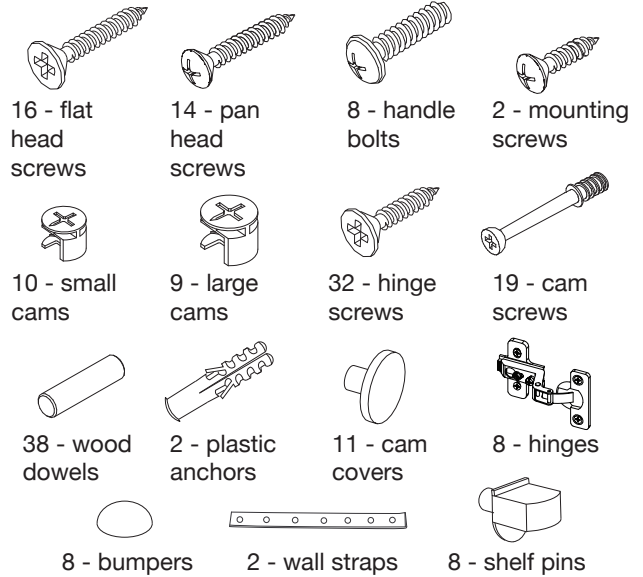


Thank you for purchasing the **Cadet Wardrobe**. This page lists all the contents included in the box. Please take time to identify the hardware as well as the individual components of this product. As you unpack and prepare for assembly, place the contents on a carpeted or padded area to protect them from damage.

NOTE: 2 people are required to safely assemble this product.

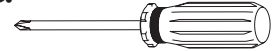
hardware



Missing hardware? Please call 800.606.6387 for replacements

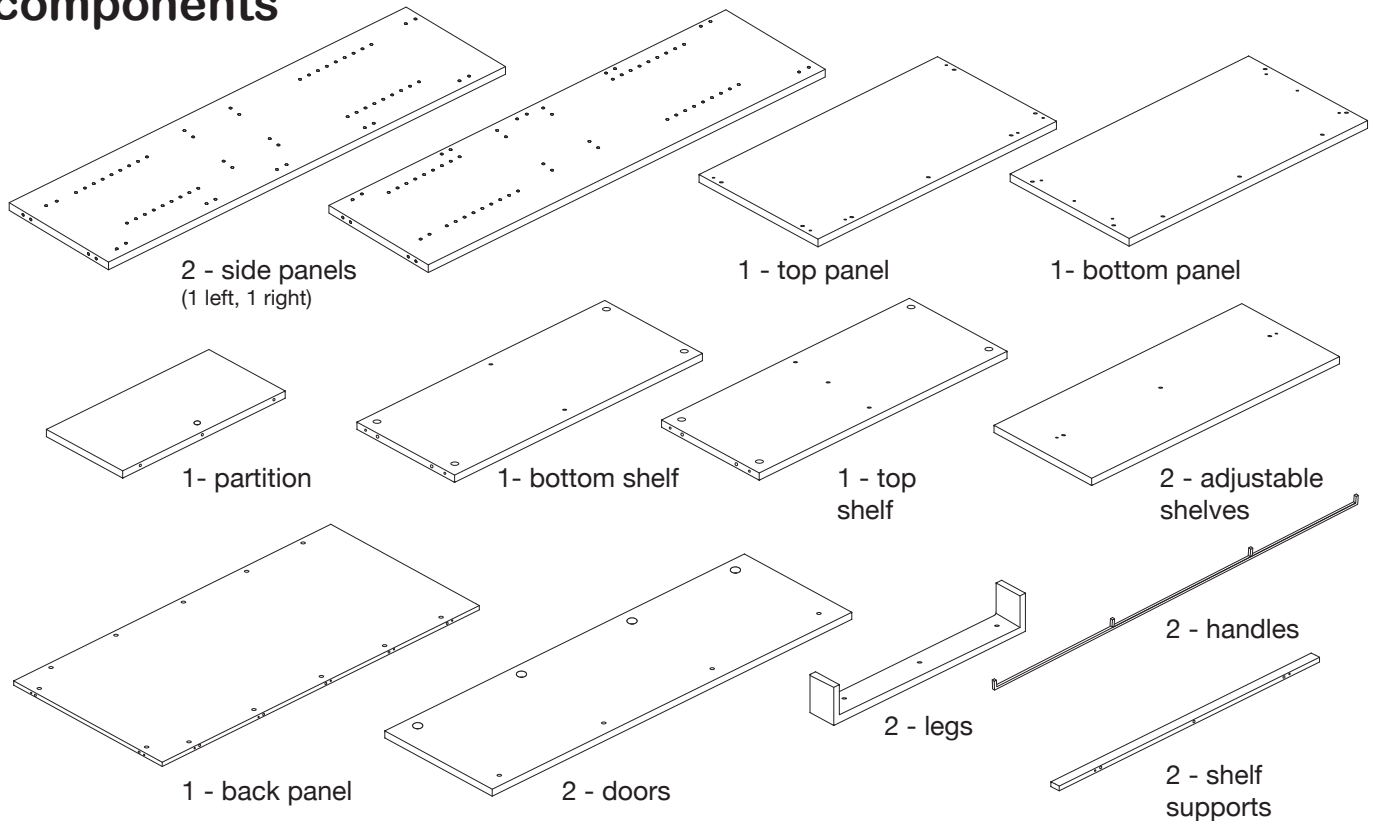
tools required

phillips head screwdriver

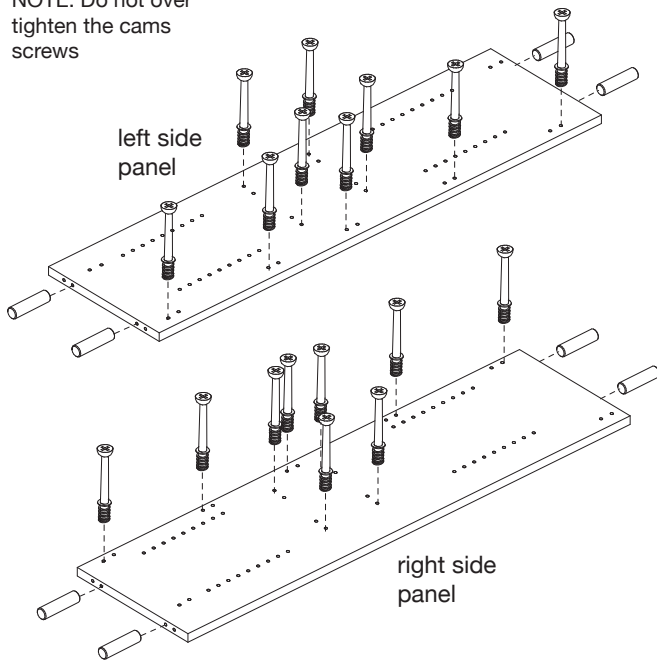


(We recommend the use of hand tools instead of power tools)

components

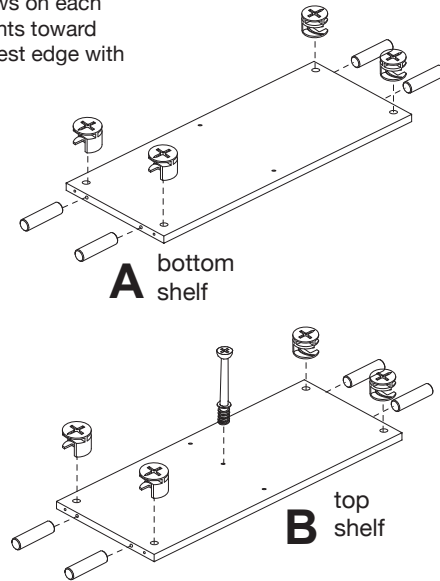


NOTE: Do not over tighten the cams screws



1 Insert 9 **cam screws** and 4 **wood dowels** into **left and right side panels**. Secure, but do not over tighten cam screws with a **phillips head screwdriver**.

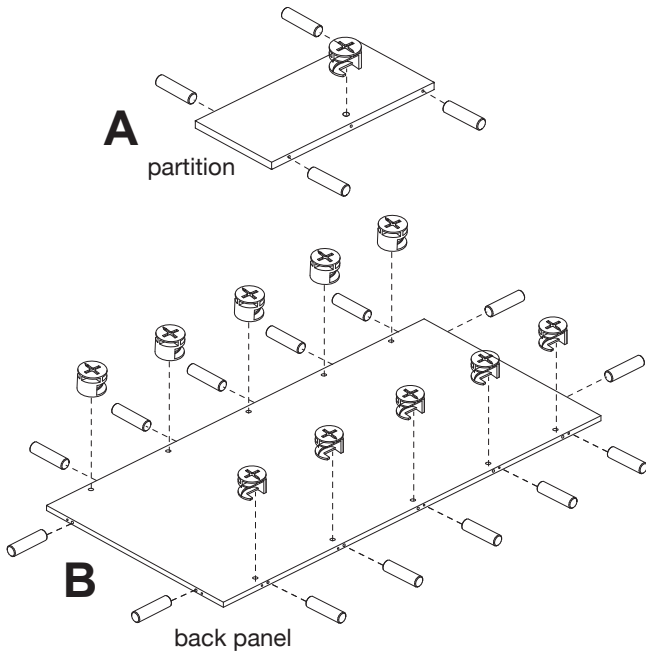
NOTE: Make sure the arrows on each cam points toward the nearest edge with holes



2 A) Insert 4 **large cams** and 4 **wood dowels** into **bottom shelf**. Make sure arrow on each cam points toward the nearest edge with holes.
B) Insert 4 **large cams**, 4 **wood dowels** and 1 **cam screw** into **top shelf**.

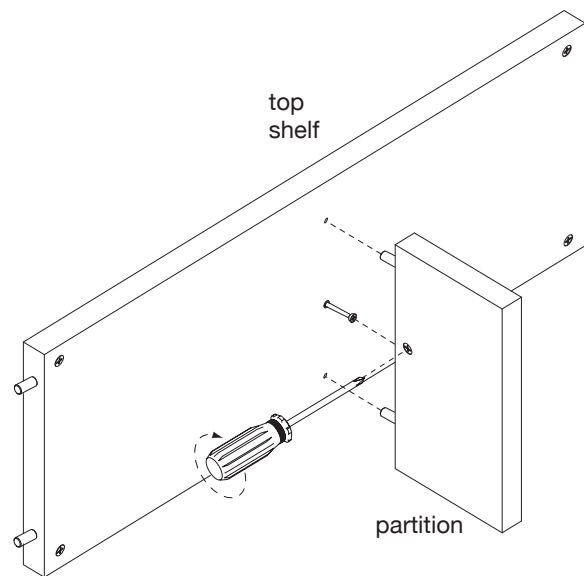
A

partition



3 A) Insert 1 **large cam** and 4 **wood dowels** into **partition**.
B) Insert 10 **small cams** and 14 **wood dowels** into **back panel**.

top shelf



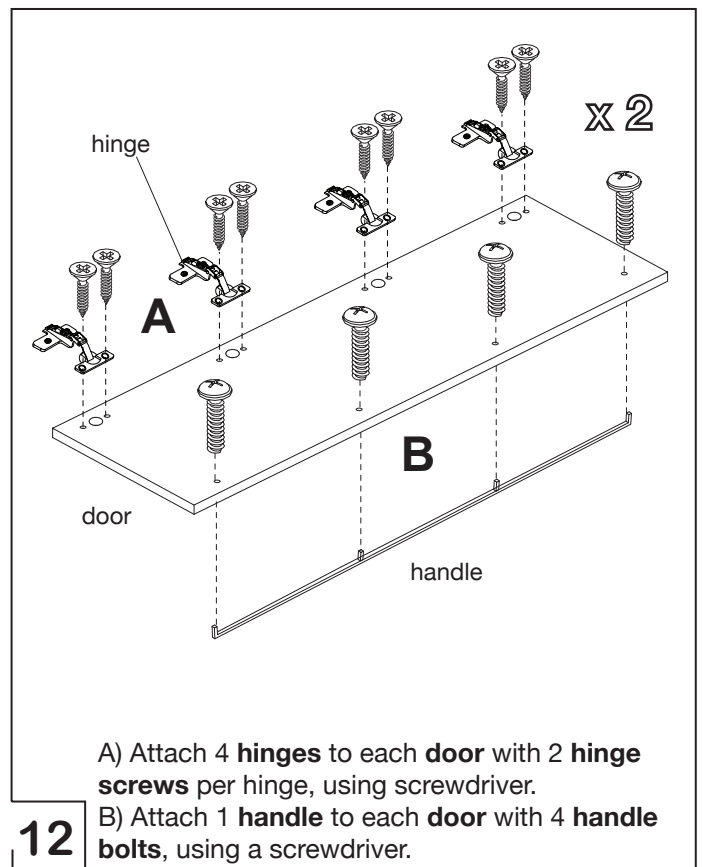
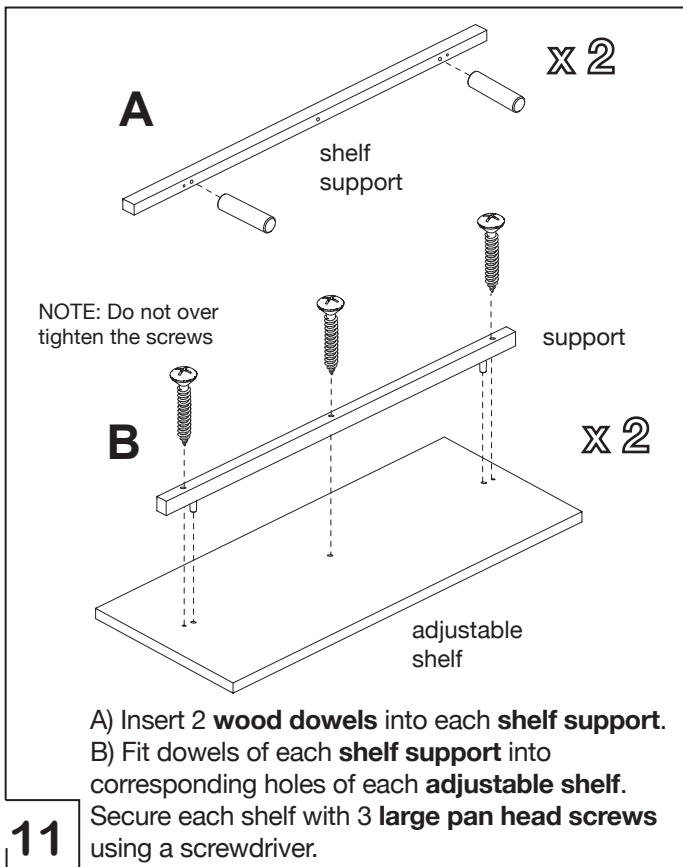
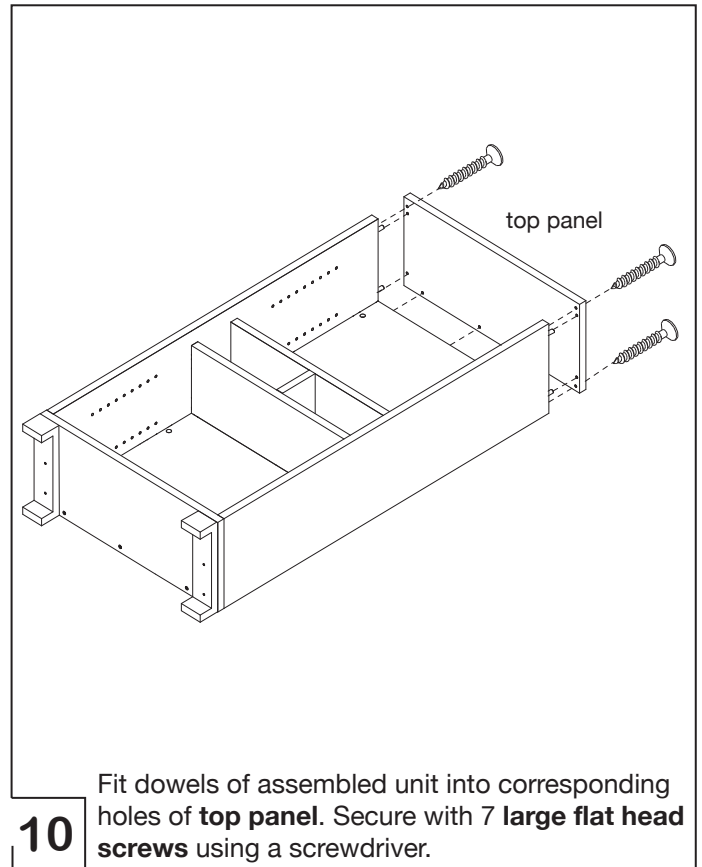
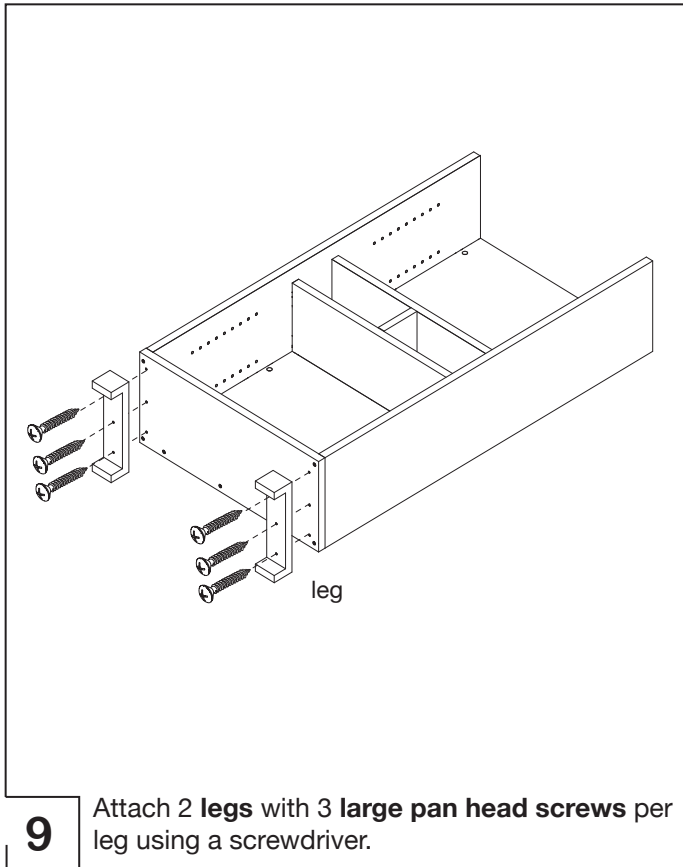
4 Fit dowels of **partition** into corresponding holes of **top shelf** as shown. Using a screwdriver, turn **cam** clockwise until it securely engages the cam screw.

5 Fit dowels of **partition** into corresponding holes of **bottom shelf** as shown. Secure with 2 **large flat head screws** using a screwdriver.

6 A) Fit dowels of **back panel** into corresponding holes of **left side panel** as shown. Secure all **cams**.
B) Fit dowels of assembled unit into corresponding holes of **left side panel** as shown. Secure all **cams**.

7 A) Fit dowels of assembled unit into corresponding holes of **right side panel**. Secure all **cams**.
B) At this point, cover all exposed cams with **cam covers**.

8 Fit dowels of assembled unit into corresponding holes of **bottom panel**. Secure with 7 **large flat head screws** as shown.



adjustable shelf

shelf pin

13

With the assistance of another adult, position unit upright. Insert 8 **shelf pins** at desired shelf heights.
B) Place 2 **adjustable shelves** into assembled unit. Make sure shelves are securely supported by shelf pins.

bumper

14

Attach 8 **bumpers** to shelves of assembled unit as shown.

A

X 4

B

X 4

15

A) With assistance of another adult, attach hinges of each **door** onto side panels of assembled unit as shown. Secure each hinge with 2 **hinge screws**.
B) Secure the set screws with a screwdriver as shown. Refer to *Hinge Adjustment* diagram for adjusting the alignment of the door hinges. Assembly is now complete.

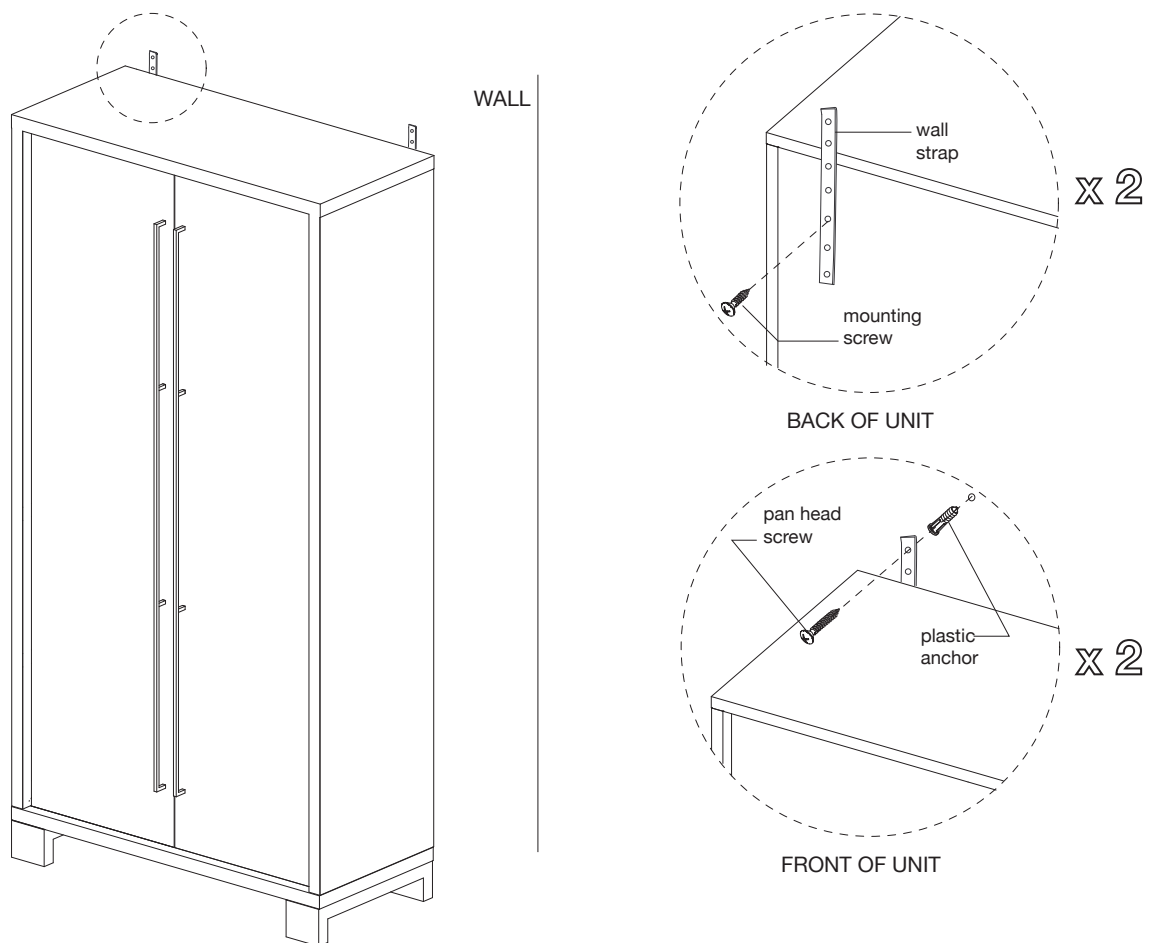
hinge adjustment

If the doors do not appear square or aligned, loosen or tighten the appropriate screws on each case hinge as illustrated.

1) **Side to side adjustment:** Loosen screw **A**, adjust gap with screw **B** and re-tighten screw **A**.

2) **Depth adjustment:** Loosen screw **A**, push hinge arm forwards or backwards, re-tighten screw **A** and secure screw **B** with a 1/4 turn clockwise.

3) **Height adjustment:** Loosen screw **C**, adjust door height and re-tighten screw **C**.



optional wall mounting assembly

These instructions are for drywall mounting only. For safe installation it is essential to use hardware appropriate for your wall type. Mount to wood wall studs whenever possible. If you are unsure of what type of fasteners to use, consult your local hardware store or a qualified professional. This product is only a deterrent, it is not a substitute for proper adult supervision.

- A. Attach 2 **wall straps** to back of unit with 1 **mounting screw** per strap as shown. Secure, but do not over tighten with a **phillips head screwdriver**.
- B. With the assistance of another adult, place the unit in desired location against the wall. Mark the location of the hole in the wall strap on the wall. Move the unit out of the workspace.
- C. Drill holes slightly smaller in diameter than the plastic anchor. Insert 1 **plastic anchor** into each hole until they are flush to the wall.
- D. Place the unit back into position against the wall. Insert 1 **pan head screw** through each wall strap and into the plastic anchor.

Wall mounting is now complete.