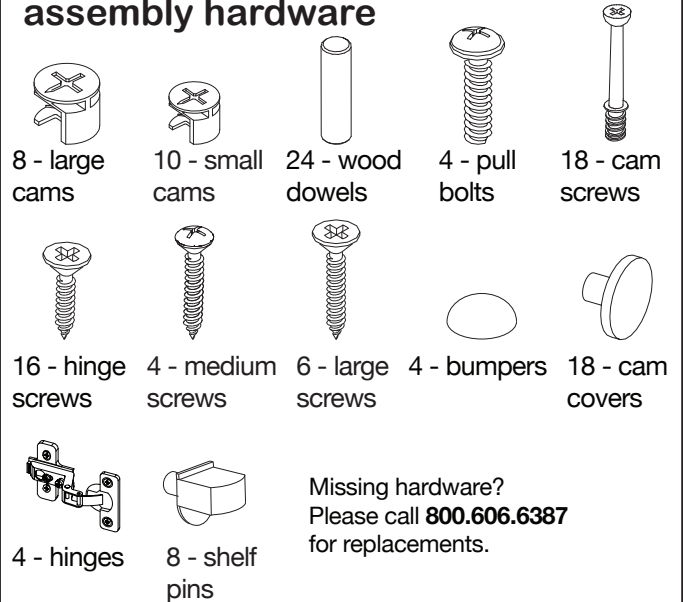
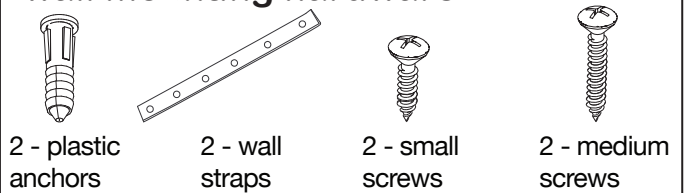


Thank you for purchasing the **Cadet Cabinet**. This page lists all the contents included in the box. Please take the time to identify the hardware as well as the individual components to this product. As you unpack and prepare for assembly, place the contents on a carpeted or padded area to protect them from damage. Note: 2 people are required to safely assemble this product.

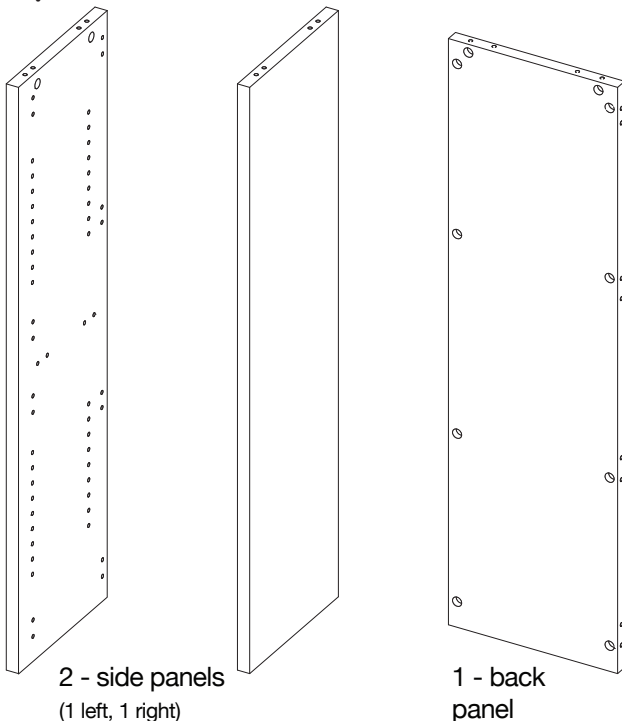
assembly hardware



wall mounting hardware

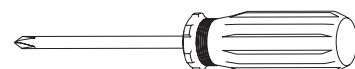


components



tools required

Phillips head screwdriver
(We recommend the use of hand tools instead of power tools)



NOTE: Make sure arrows on each cam points toward nearest edge with holes

NOTE: Do not over tighten the cam screws

left side panel
X 2

1 Insert 4 **wood dowels**, 2 **large cams**, 6 **cam screws** into **left side panel** as shown. Secure, but do not over tighten, cam screws with a **Phillips head screwdriver**. Make sure arrows on each cam points toward nearest edge with holes. Repeat steps for **right side panel**.

back panel

2 Insert 10 **small cams** and 12 **wood dowels** into **back panel** as shown.

top panel

fixed shelf

3 A. Insert 6 **cam screws** into **top panel** as shown.
B. Insert 4 **wood dowels** and 4 **large cams** into **fixed shelf** as shown.

NOTE: Make sure cams of back and right side panel are oriented towards the top as shown

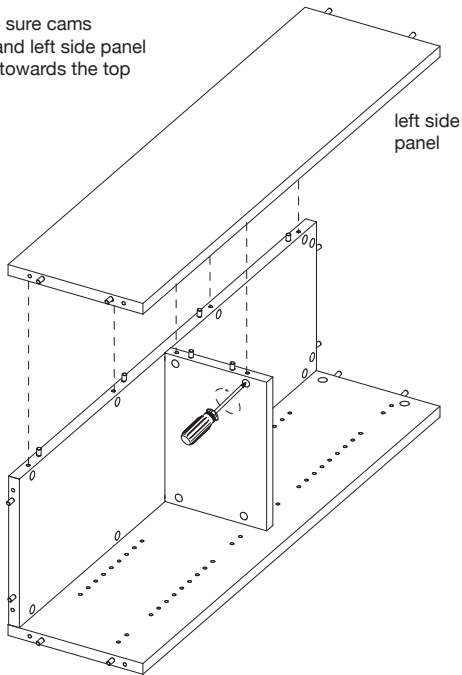
back panel

fixed shelf

right side panel

4 Fit dowels of **back panel** and **fixed shelf** into corresponding holes of **right side panel** as shown. Using a screwdriver, turn each **cam** clockwise until it securely engages each cam screw.

NOTE: Make sure cams of the back and left side panel are oriented towards the top as shown

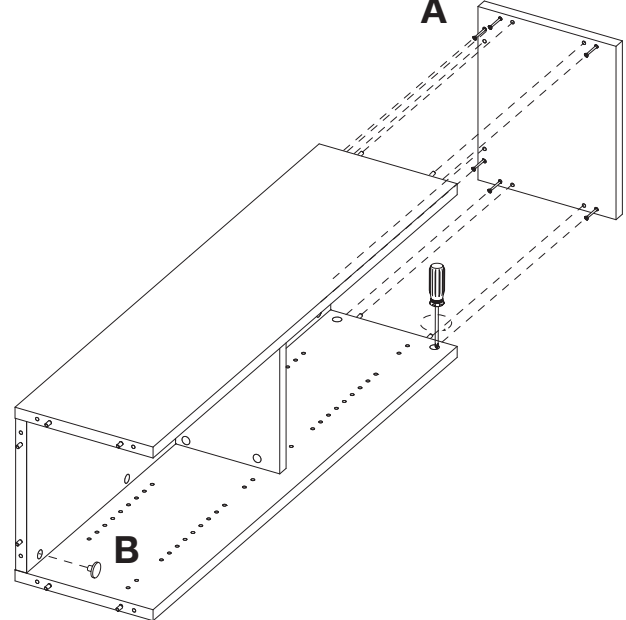


5

With assistance of another adult, fit dowels of assembled unit into corresponding holes of **left side panel** as shown. Secure all **cams**.

A

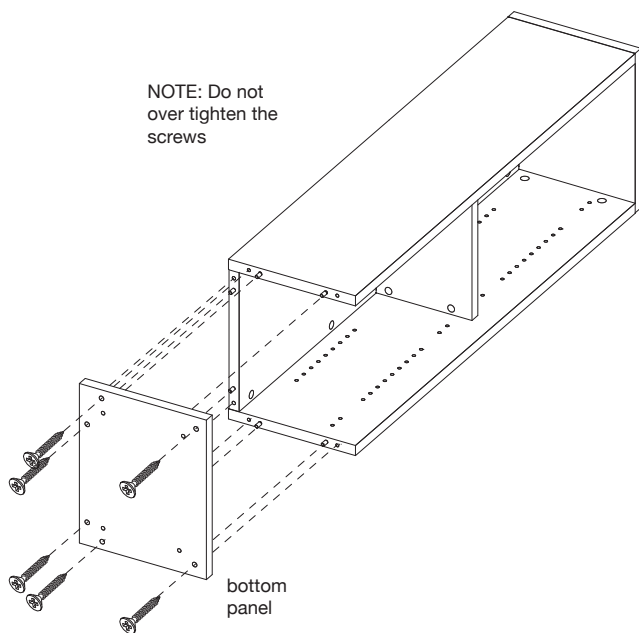
top panel



6

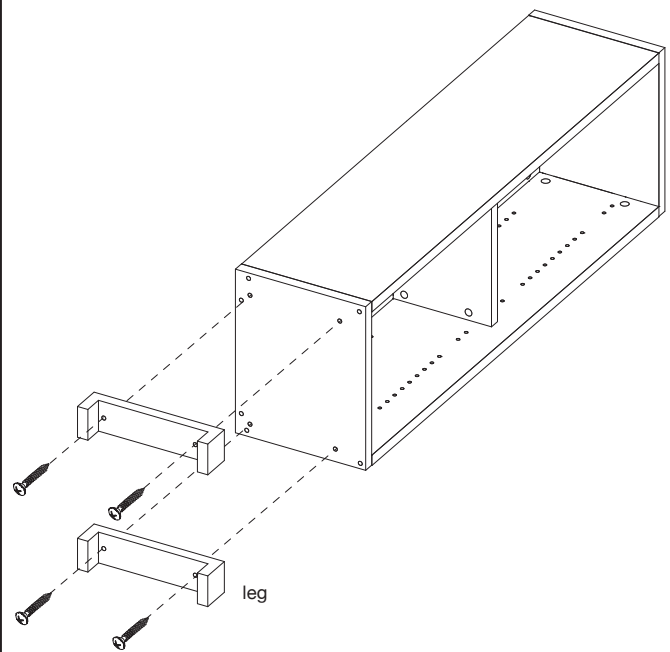
A. Fit dowels of assembled unit into corresponding holes of **top panel** as shown. Secure all **cams**.
B. Cover all exposed cams with **cam covers**.

NOTE: Do not over tighten the screws



7

Fit dowels of assembled unit into **bottom panel** as shown. Secure, but do not over tighten, bottom panel with 6 **large screws** using a screwdriver.



8

Attach 2 **legs** to bottom of assembled unit with 2 **medium screws** per leg as shown, using a screwdriver.

9

A. With assistance of another adult, position unit upright. Insert 8 **shelf pins** at desired shelf heights.

B. Place 2 **adjustable shelves** into assembled unit. Make sure shelves are securely supported by each shelf pin.

10

A. Fit 2 **hinges** into corresponding holes of 2 **doors** as shown. Secure each hinge with 2 **hinge screws**, using a screwdriver.

B. Attach 1 **pull** to each **door** with 2 **pull bolts**, using a screwdriver.

C. Adhere 2 **bumpers** to each door as shown.

12

A) Attach hinges of each **door** onto the left or right side panel of assembled unit. Secure each hinge with 2 **hinge screws**.

B) Secure the set screws with a screwdriver as shown. Refer to *Hinge Adjustment* diagram for adjusting the alignment of the door hinges. Assembly is now complete.

NOTE: Doors can be assembled to left or right side panel of assembled unit

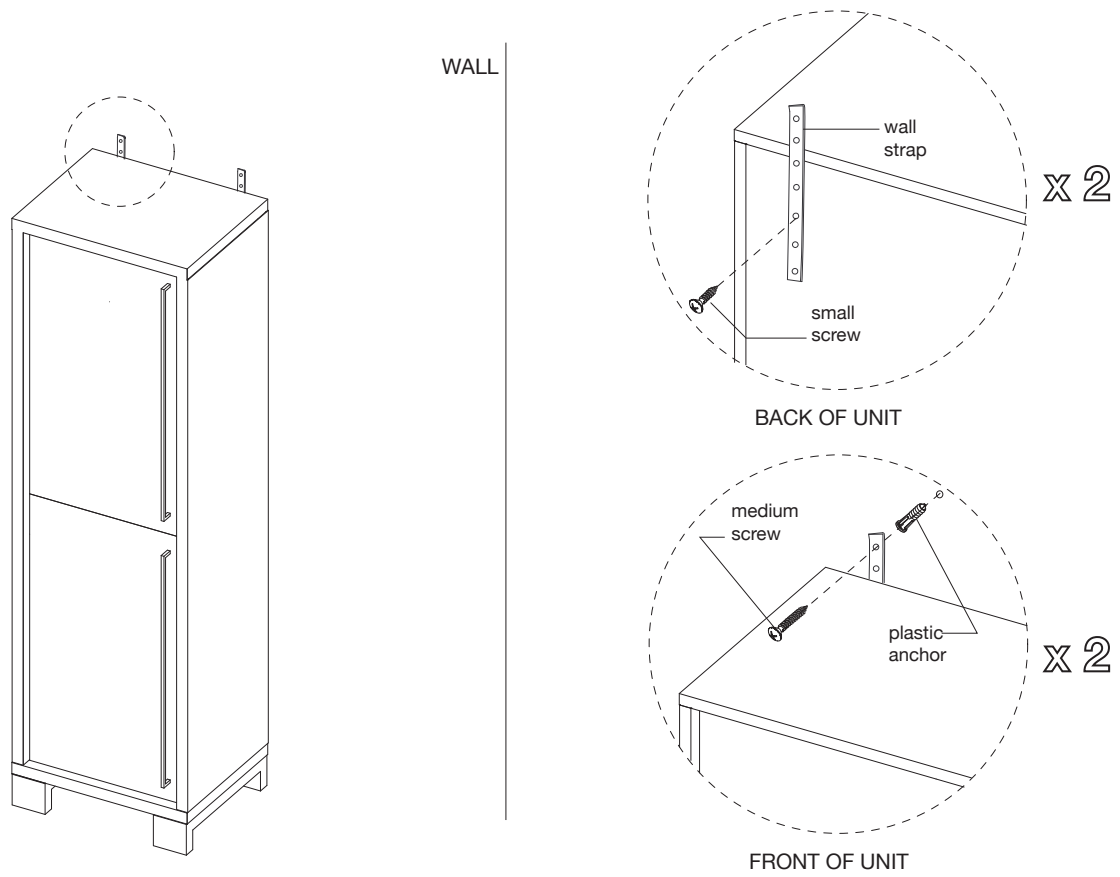
hinge adjustment

If the doors do not appear square or aligned, loosen or tighten the appropriate screws on each case hinge as illustrated.

1) **Side to side adjustment:** Loosen screw **A**, adjust gap with screw **B** and re-tighten screw **A**.

2) **Depth adjustment:** Loosen screw **A**, push hinge arm forwards or backwards, re-tighten screw **A** and secure screw **B** with a 1/4 turn clockwise.

3) **Height adjustment:** Loosen screw **C**, adjust door height and re-tighten screw **C**.



optional wall mounting assembly

These instructions are for drywall mounting only. For safe installation it is essential to use hardware appropriate for your wall type. Mount to wood wall studs whenever possible. If you are unsure of what type of fasteners to use, consult your local hardware store or a qualified professional. This product is only a deterrent, it is not a substitute for proper adult supervision.

- A. Attach 2 **wall straps** to back on unit with 1 **small screw** per strap as shown. Secure, but do not over tighten with a **phillips head screwdriver**.
- B. With the assistance of another adult, place the unit in desired location against the wall. Mark the location of the hole in the wall strap on the wall. Move the unit out of the workspace.
- C. Drill holes slightly smaller in diameter than the plastic anchor. Insert 1 **plastic anchor** into each hole until they are flush to the wall.
- D. Place the unit back into position against the wall. Insert 1 **medium screw** through each wall strap and into the plastic anchor.

Wall mounting is now complete.

cleaning & care

Clean surfaces with a dry or damp soft cloth. Do not use abrasive cleaners.