


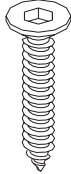



Thank you for purchasing the **Bunker Storage Bench/Chest**. This page lists all the contents included in the box. Please take the time to identify the hardware as well as the individual components to this product. As you unpack and prepare for assembly, place the contents on a carpeted or padded area to protect them from damage.  
 Note: 2 people are recommended to safely assemble this product.

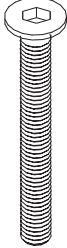
## hardware



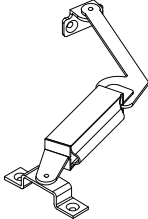
8 - small screws



6 - large screws




8 - bolts

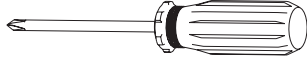


2 - hinges (1 left, 1 right)

Missing hardware?  
 Please call **800.606.6387** for replacements.

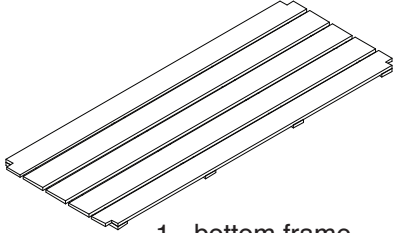
## tools required

allen wrench (included) 

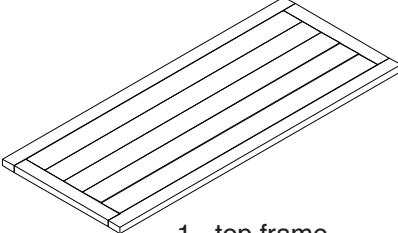
phillips head screwdriver 

(We recommend the use of hand tools instead of power tools)

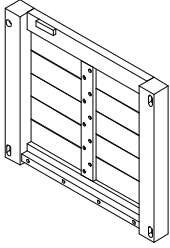
## components



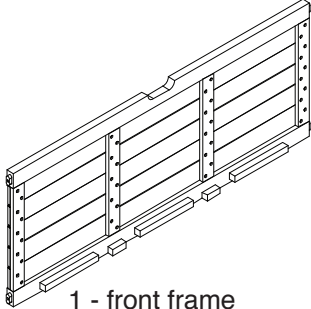
1 - bottom frame



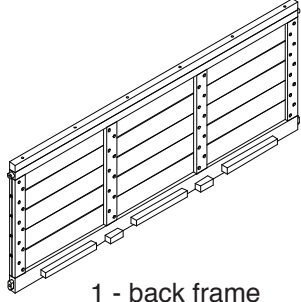
1 - top frame



2 - side frames (1 left, 1 right)

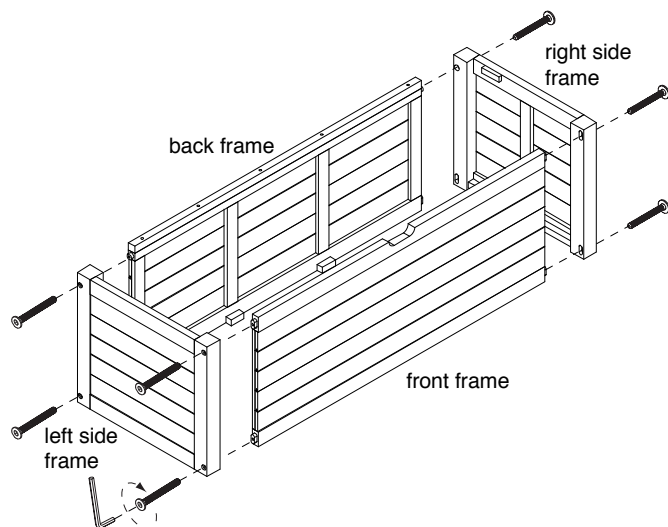


1 - front frame



1 - back frame

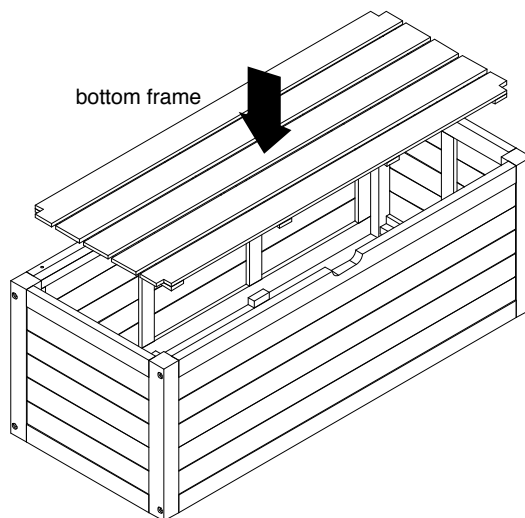
NOTE: Do not over tighten the bolts



With assistance of another adult, fit **left and right side frames** onto corresponding notches of **front and back frames** as shown. Secure each side frame with 4 **bolts**, using an **allen wrench**. Do not over tighten the bolts.

1

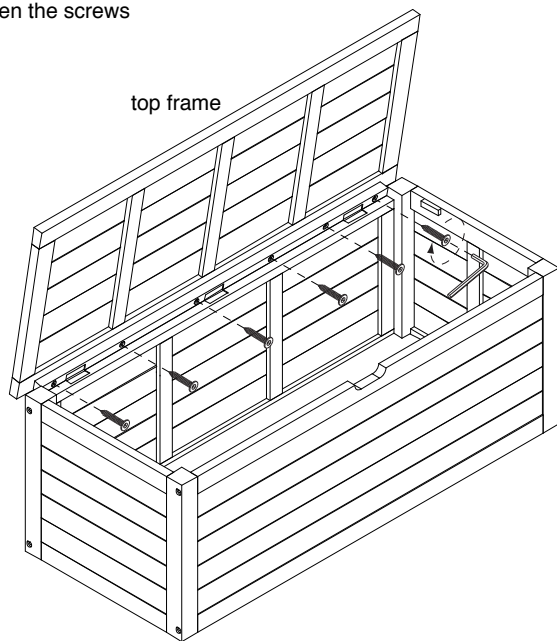
bottom frame



Place **bottom frame** into assembly as shown.

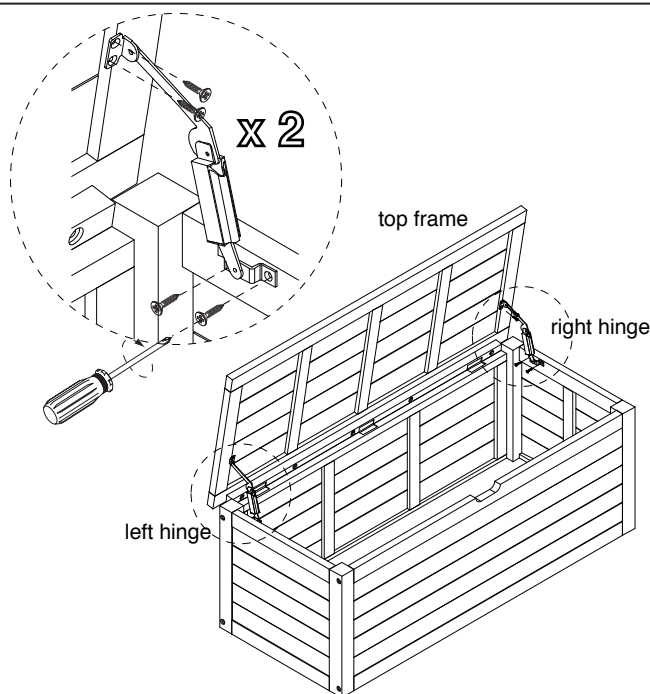
2

NOTE: Do not over tighten the screws



Flip open hinged rail on back frame as shown. Attach **top frame** to assembly with 6 **large screws**. Secure, but do not over tighten, screws with an **allen wrench**.

3



Attach **left and right hinges** to assembly with 4 **small screws** per hinge. Secure screws with a **phillips head screwdriver**. Assembly is now complete.

4

## cleaning and care

Clean surfaces with a dry or damp soft cloth. Do not use abrasive cleaners. Periodically tighten bolts as necessary.

Wood is a living material that continues to respond to climate conditions even after being made into a piece of furniture. Under normal use, wood may crack slightly due to changes in moisture and temperature. Please note these cracks do not effect the structural integrity of the furniture.

Covers are recommended to use during inclement weather or when not in use to prolong the life of the product.