

Thank you for purchasing the **Brace dining table**. This page lists all the contents included in the box. Please take the time to identify the hardware as well as the individual components to this product. As you unpack and prepare for assembly, place the contents on a carpeted or padded area to protect them from damage.

Note: 2 people are recommended to safely assemble this product.

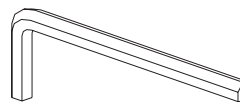
## hardware



16 - bolts

Missing hardware?  
Please call **800.606.6387** for replacements.

## tools required



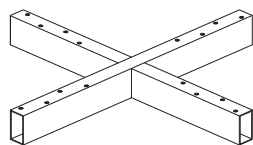
allen wrench (included)

(We recommend the use of hand tools instead of power tools)

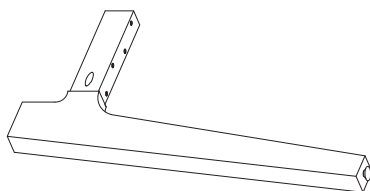
## components



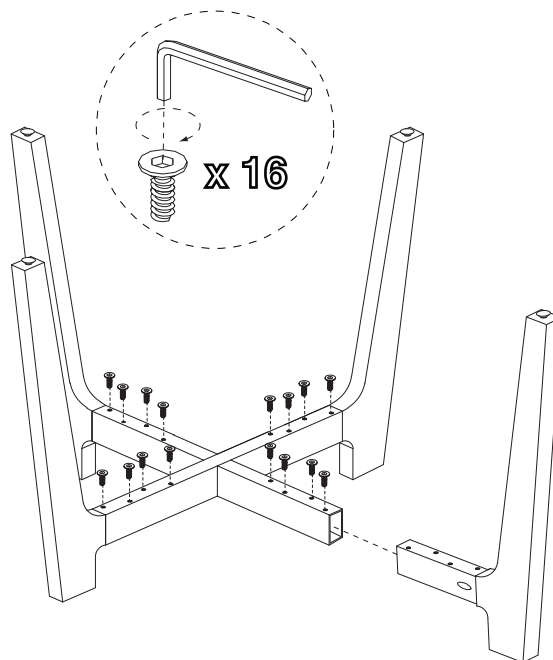
1 - glass top



1 - crossbar

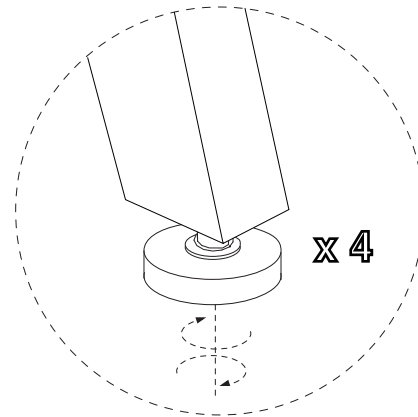
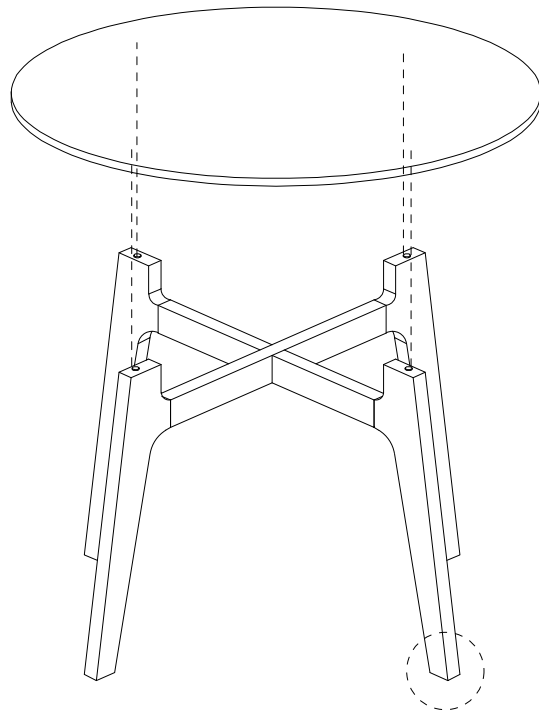


4 - legs



Fit **1 leg** into end of **crossbar** as shown. Align holes in crossbar with holes in legs and attach with **4 bolts**. Secure each bolt with the **allen wrench**. Repeat for remaining 3 legs.

1



With assistance from another adult, position base assembly upright. Carefully place **glass top** onto base, making sure glass is securely supported by the plastic bumpers.

Adjust levelers as necessary to compensate for uneven floors.

Assembly is now complete.

2

## cleaning and care

Clean surfaces with a dry or damp soft cloth. Do not use abrasive cleaners.  
It is recommended to use coasters to protect surface from heat.