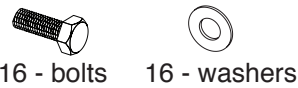


Thank you for purchasing the **Bow Dining Table**. This page lists all the contents included in the box. Please take the time to identify the hardware as well as the individual components to this product. As you unpack and prepare for assembly, place the contents on a carpeted or padded area to protect them from damage.

Note: 2 people are recommended to safely assemble this product.

hardware



16 - bolts 16 - washers

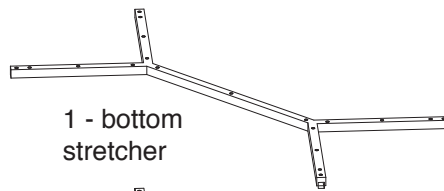
Missing hardware?
Please call **800.606.6387** for replacements.

tools required

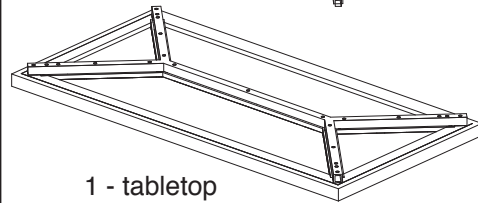


hex wrench

components



1 - bottom stretcher



1 - tabletop



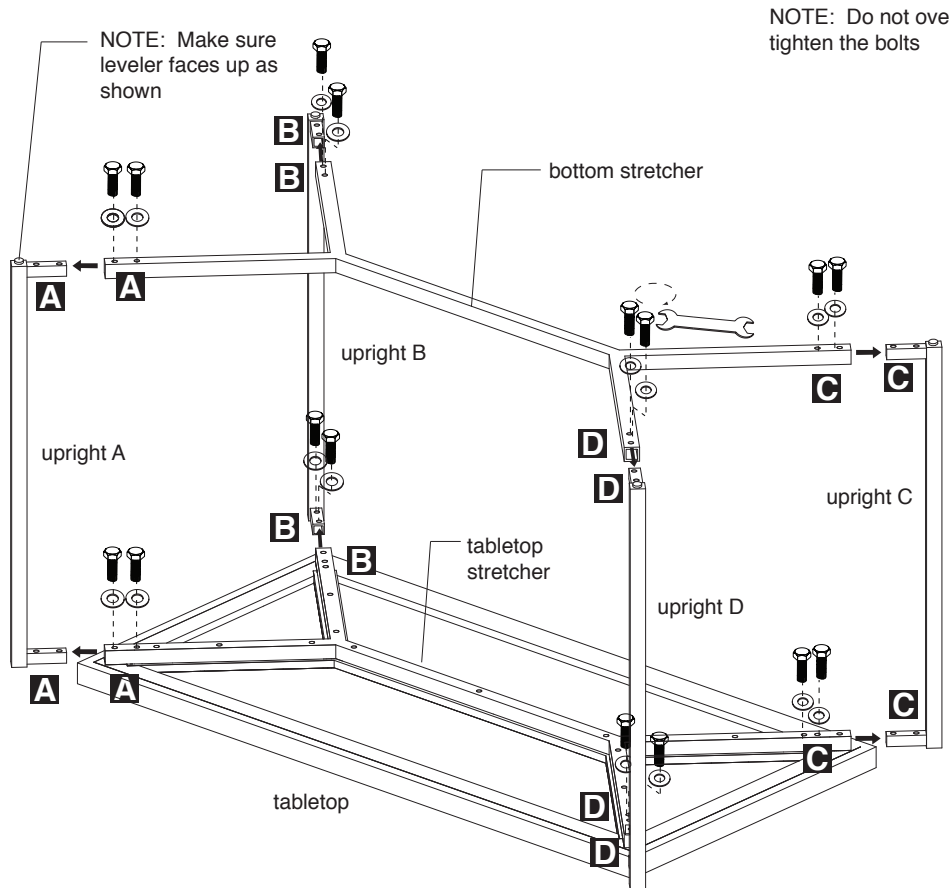
4 - uprights
(labeled A, B, C, D)

assembly

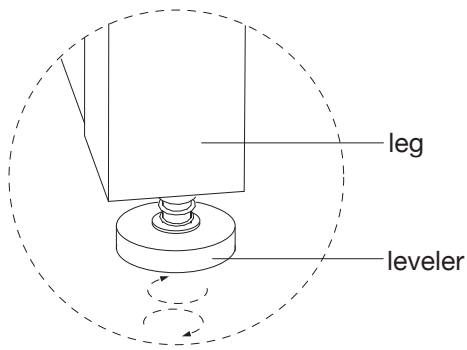
A. With the assistance of another adult, carefully place **tabletop** upside onto a clean, padded surface as shown. Fit end of **upright A** into matching end of **tabletop stretcher** as shown. Align holes and loosely secure **upright A** to **tabletop** with **2 bolts** and **2 washers**. Make sure leveler on upright faces up.

B. With the assistance of another adult, fit the other end of **upright A** into matching end of **bottom stretcher** as shown. Secure with **2 bolts** and **2 washers**. Repeat for remaining uprights.

C. Once all bolts are in place secure, but do not over tighten, each bolt using a **hex wrench**. With the assistance of another adult, position unit upright. Assembly is now complete.



method to adjust levelers on table



NOTE: This table comes with pre-attached levelers. Please do the following if your table is not level.

With the assistance of another adult, adjust levelers of each leg as necessary.

cleaning and care

Avoid direct sunlight. Clean surfaces with a dry soft cloth. Do not use abrasive cleaners. Do not place marking objects directly on the surface. It is recommended to use coasters to protect surface from heat and water. Do not leave spills unattended. Wipe immediately.