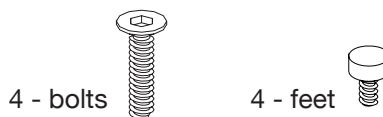


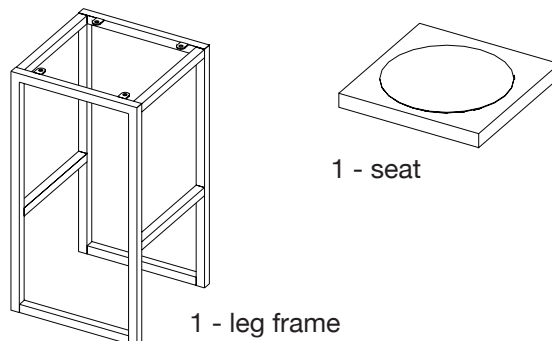
Thank you for purchasing the **24"** or the **30"** **Bongo Bar Stool**. This page lists all the contents included in the box. Please take time to identify the hardware as well as the individual components of this product. As you unpack and prepare for assembly, place the contents on a carpeted or padded area to protect them from damage.

## hardware



Missing hardware? Please call **800.606.6387** for replacements.

## components

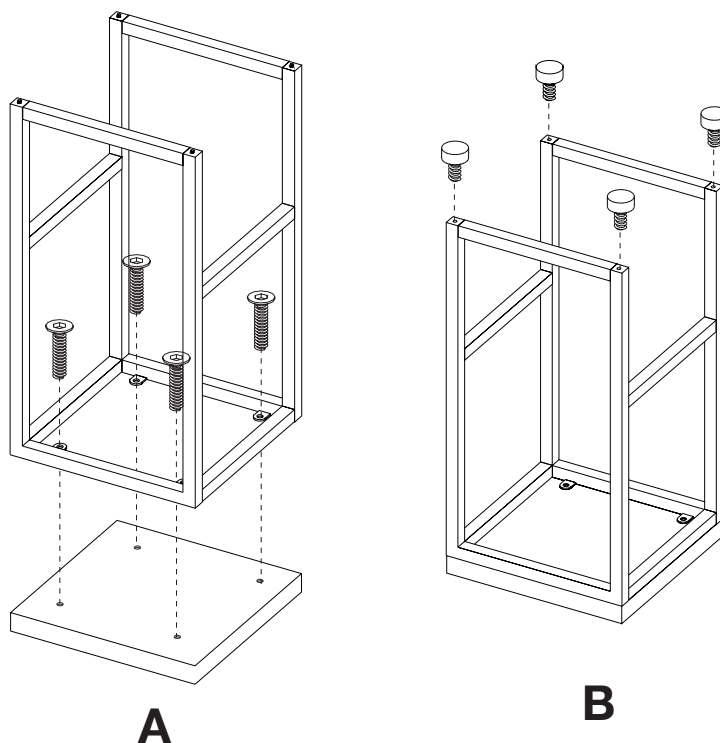


## tools required

Allen Wrench (included)

## assembly

- A)** Place **seat** upside down on a padded surface as shown. Position **leg frame** as shown, aligning holes in seat bottom with holes in leg frame tabs. Insert 4 **bolts** through tabs into seat. Fully tighten the bolts with the **allen wrench**.
- B)** Insert 4 **feet** into the threaded holes on the bottom of the frame as shown. Place barstool upright and make any necessary height adjustments to the feet to accommodate uneven floors. Assembly is now complete.



## cleaning & care

Clean surfaces with a dry or damp soft cloth. Do not use abrasive cleaners. Do not use furniture wax or polish as the wood is finished with a protective clear lacquer.