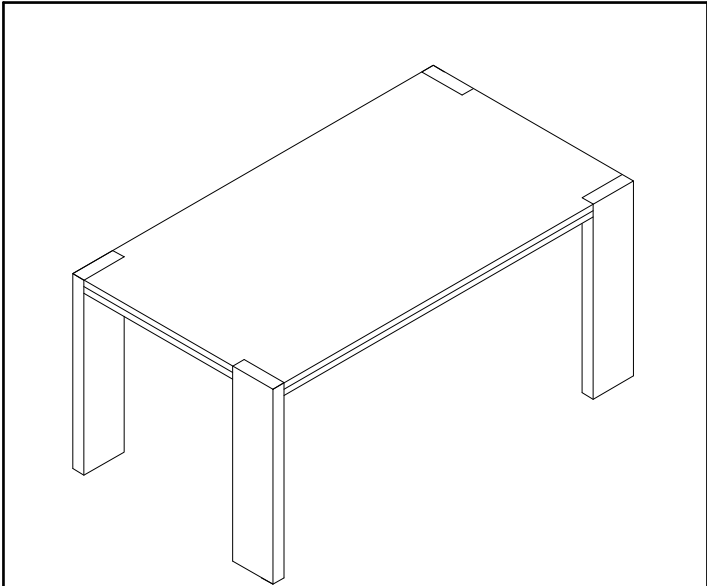


blox 91" TABLE

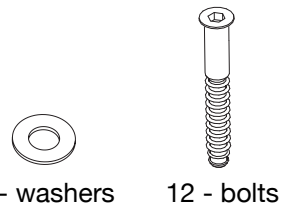
CB2



Thank you for purchasing the **Blox Dining Table 35" x 91" (88.9cm x 231.1cm)**. This page lists all the contents included in the box. Please take time to identify the hardware as well as the individual components of this product. As you unpack and prepare for assembly, place the contents on a carpeted or padded area to protect them from damage.

NOTE: 2 people are required to safely assemble this product.

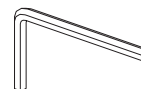
hardware



12 - washers 12 - bolts

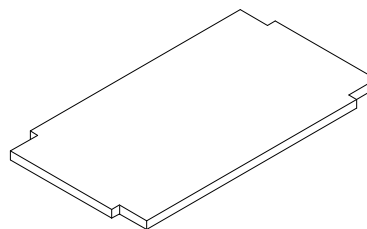
Missing hardware? Please call **800.606.6387** for replacements.

tools required

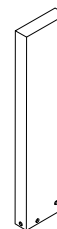


allen wrench (included)

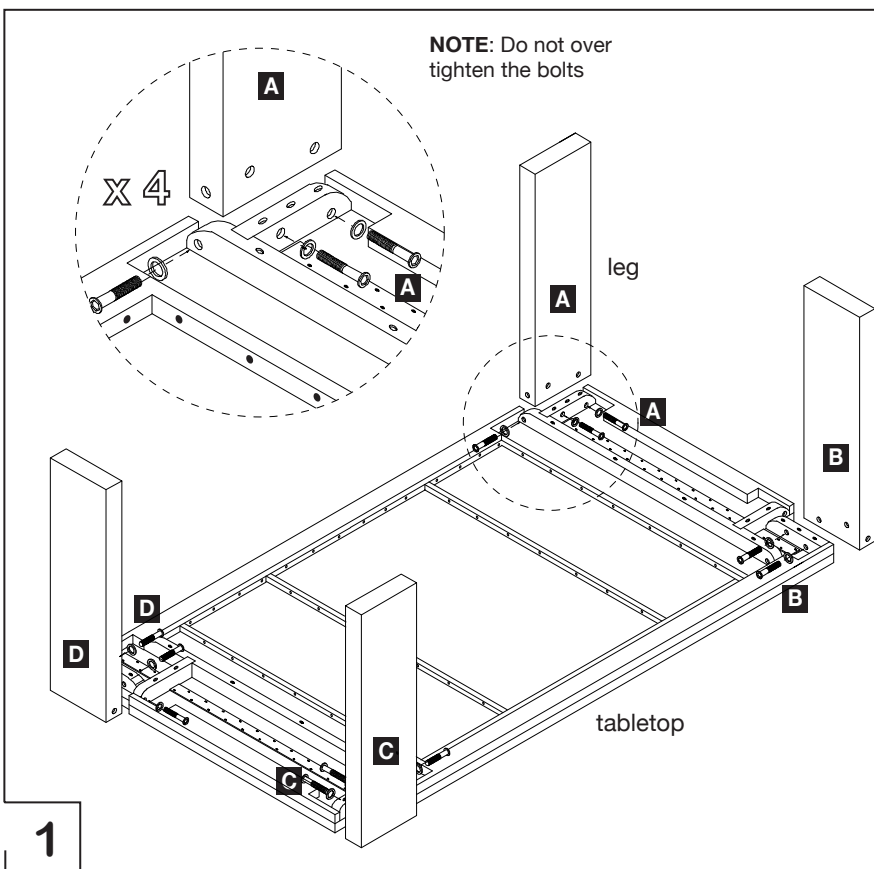
components



1 - tabletop



4 - legs
(1-A, 1-B, 1-C, 1-D)



NOTE: Do not over tighten the bolts

With the assistance of another adult, carefully place **tabletop** upside down onto a clean, padded surface. Locate letters on each **leg** and **tabletop**. Fit **leg** into corresponding letter of **tabletop**, and attach each **leg** with 3 **bolts** and 3 **washers**. Secure, but do not over tighten, the bolts using an **allen wrench**. Position unit upright.

Assembly is now complete.

cleaning & care

Clean surfaces with a dry soft cloth. Do not use abrasive cleaners. Furniture wax can be used, as this item has already been finished with a natural wax. It is recommended to use coasters to protect surface from heat and water.