

Thank you for purchasing the **Blokkey Magnetic Key Hook**. This page lists all the contents included in the box. Please take the time to identify the hardware as well as the individual components to this product. As you unpack and prepare for assembly, place the contents on a carpeted or padded area to protect them from damage.

## hardware



2 - bolts



2 - plastic anchors

Missing hardware?  
Please call **800.606.6387** for replacements.

## tools required



level



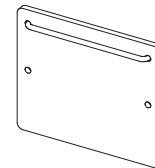
allen wrench  
(included)



power drill  
(for pilot holes only)

## components

1 - wall board



## wall mounting assembly

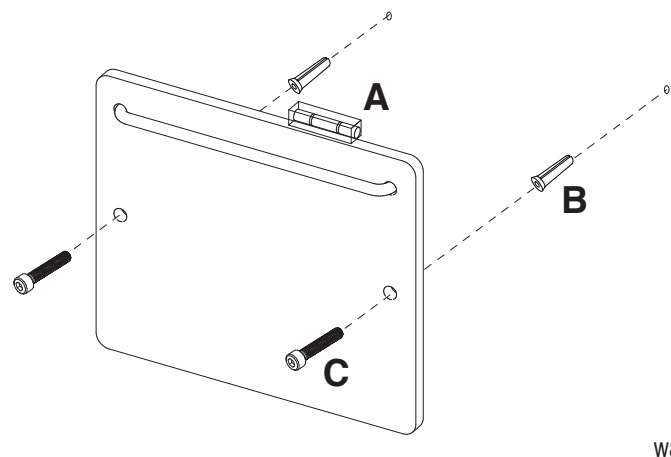
For safe mounting, it is essential to use wall anchors appropriate to your wall type (i.e. plaster, drywall, concrete, etc.). Mount to wood studs whenever possible. These instructions are for drywall mounting only.

**A)** Determine the location for **wall board**. Using a **level**, position **wall board** and mark 2 hole positions on the wall. Set board aside.

**B)** Drill a hole in the wall that is slightly smaller in diameter than the anchor. Insert **2 plastic anchors** into holes. Gently tap **plastic anchors** into the wall until the flange of the anchor is flush.

**C)** Align holes of **wall board** with corresponding anchors in wall. Insert **1 bolt** through each **plastic anchor** in the wall as shown, using an **allen wrench**. Installation is now complete.

**NOTE:** If you are unsure about your wall type or what mounting method you should use, consult a qualified professional or your local hardware store.



## cleaning and care

Clean surfaces with a dry or damp soft cloth. Do not use abrasive cleaners.