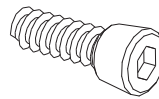


Thank you for purchasing the **Block Printed Barstool**. This page lists all the contents included in the box. Please take time to identify the hardware as well as the individual components of this product. As you unpack and prepare for assembly, place the contents on a carpeted or padded area to protect them from damage.

## hardware



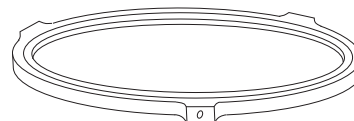
9 - bolts

Missing hardware?  
Please call **800.606.6387** for replacements.

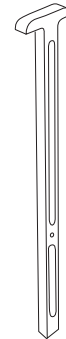
## components



1 - seat

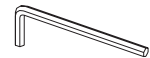


1 - support ring



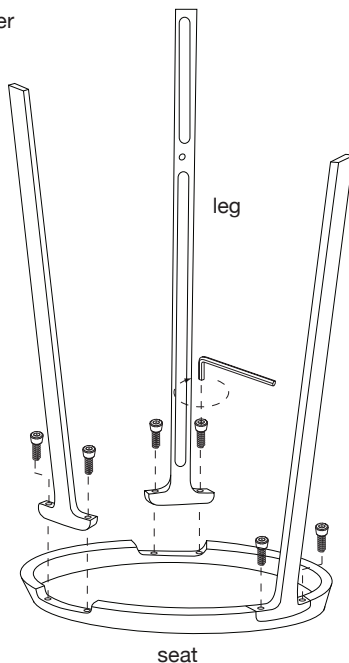
3 - legs

## tools required



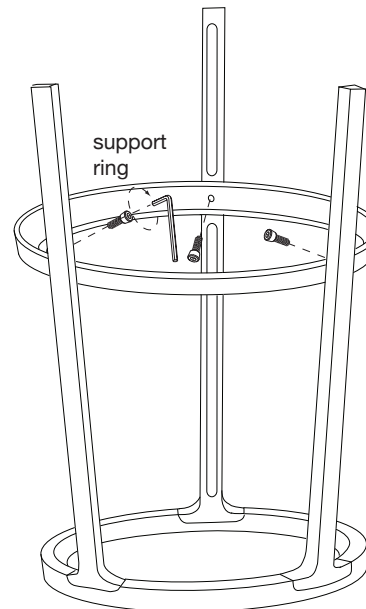
allen wrench (included)

NOTE: Do not over tighten the bolts



**1**

Place **seat** onto a clean, padded surface facedown as shown. Fit 3 **legs** into **seat** as shown. Loosely attach each **leg** with 2 **bolts** as shown, using an **allen wrench**. Do not tighten the bolts.



**2**

Fit **support ring** into assembled unit as shown. Align holes of **support ring** with holes of each **leg**. Secure **support ring** to **legs** with 3 **bolts**. At this point, fully tighten all bolts using an **allen wrench**. Do not over tighten. Position unit upright. Assembly is now complete.

## cleaning & care

Clean surfaces with a dry soft cloth. Do not use abrasive cleaners. Periodically re-tighten bolts.