



Thank you for purchasing the **Billboard Queen or King Bed**. This page lists all the contents included in the box. Please take the time to identify the hardware as well as the individual components to this product. As you unpack and prepare for assembly, place the contents on a carpeted or padded area to protect them from damage.
 Note: 2 people are required to safely assemble this product.

hardware



24 - bolts



24 - spring washers



6 - flat washers

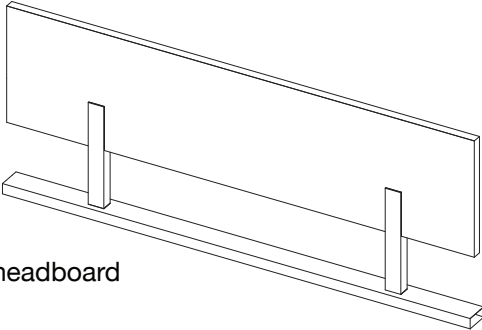
Missing hardware?
 Please call **800.606.6387** for replacements.

tools required

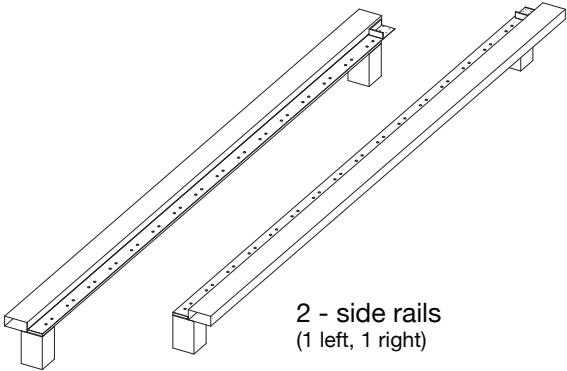


allen wrench (included)

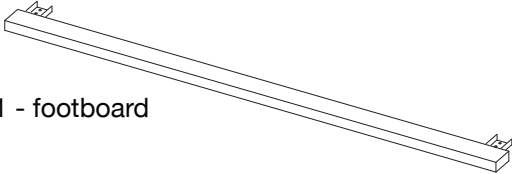
components



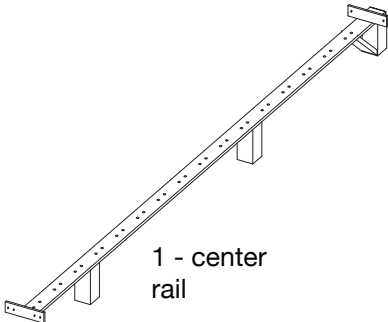
1 - headboard




2 - side rails
(1 left, 1 right)




1 - footboard




1 - center rail



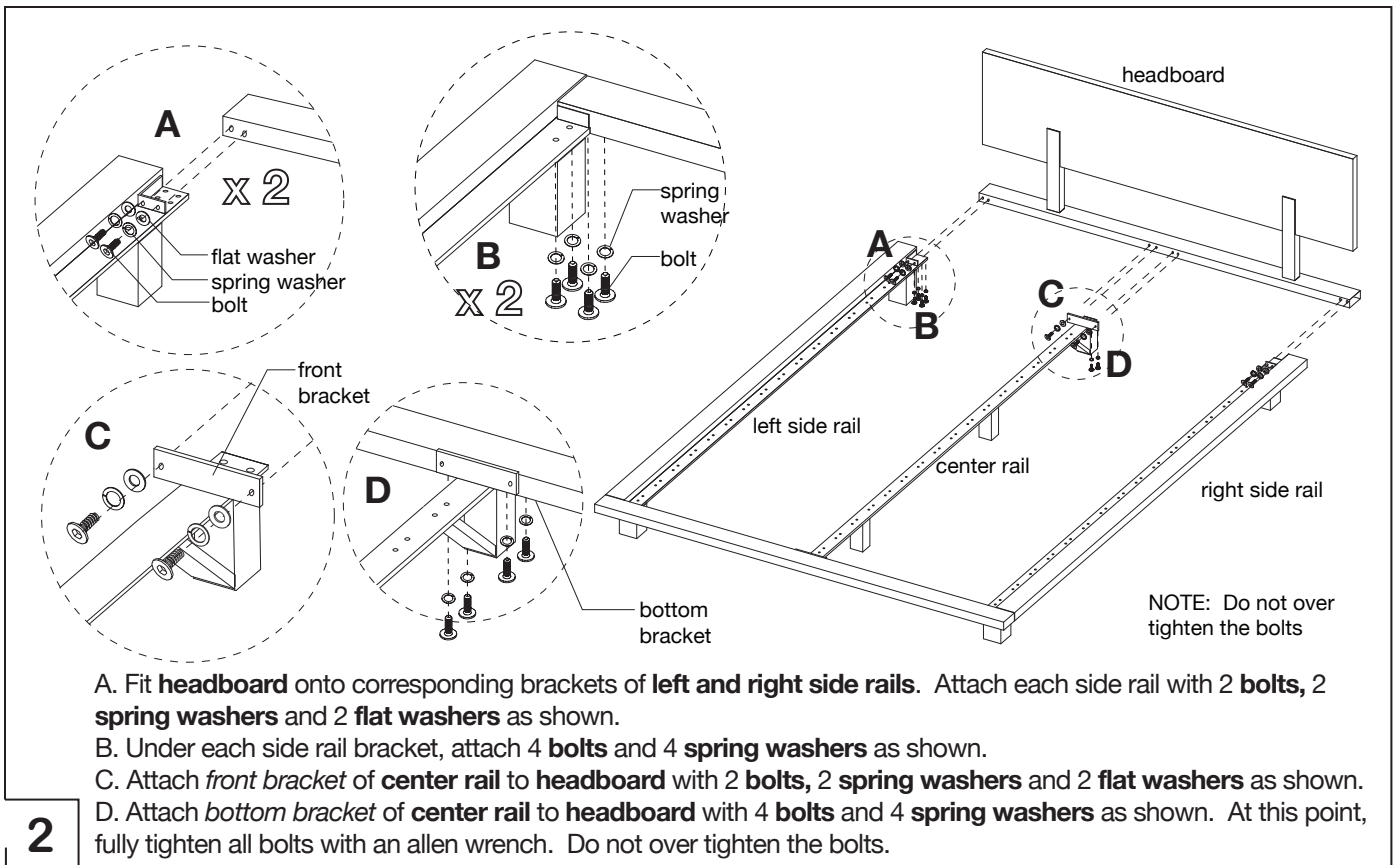
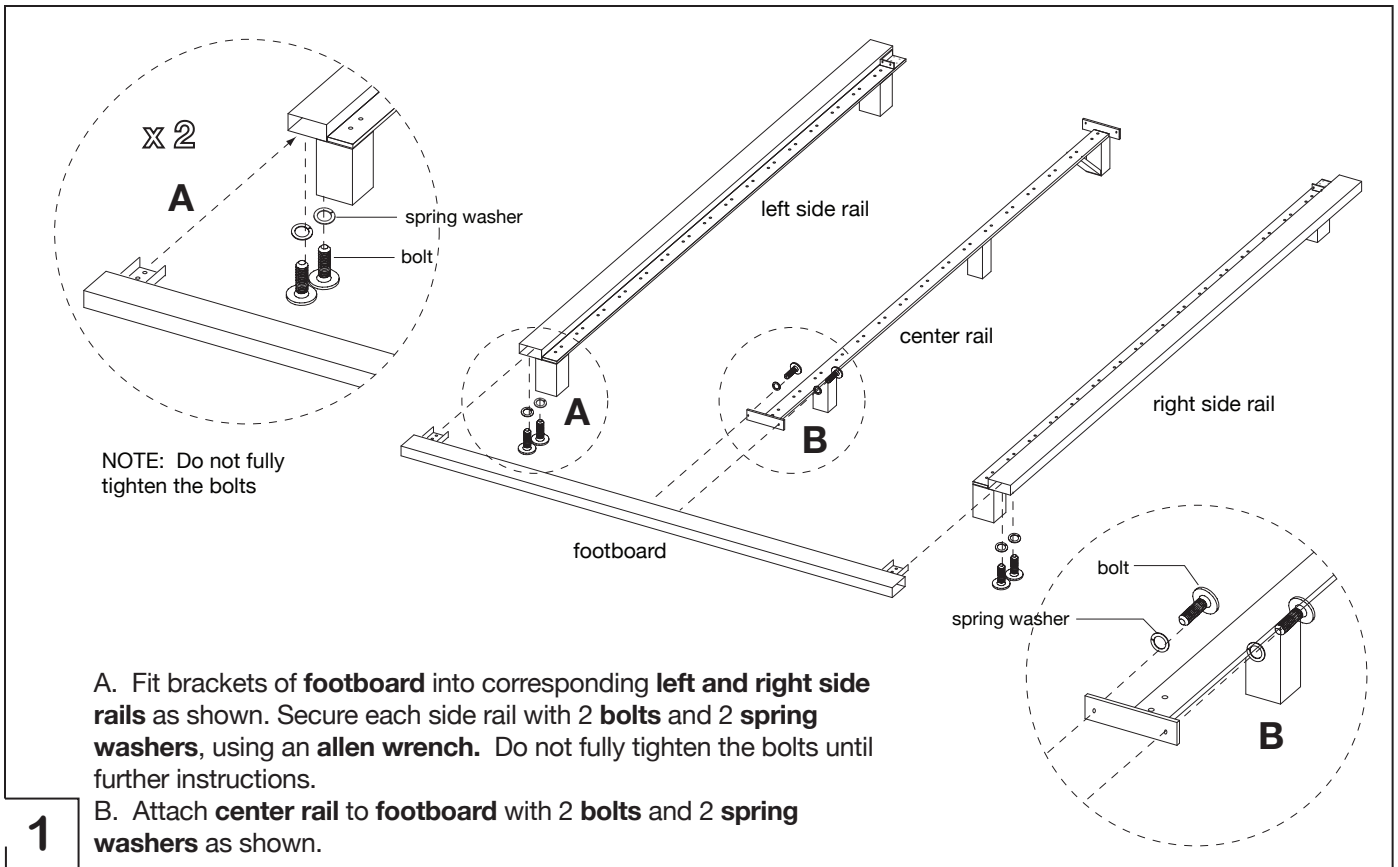
32 - end caps

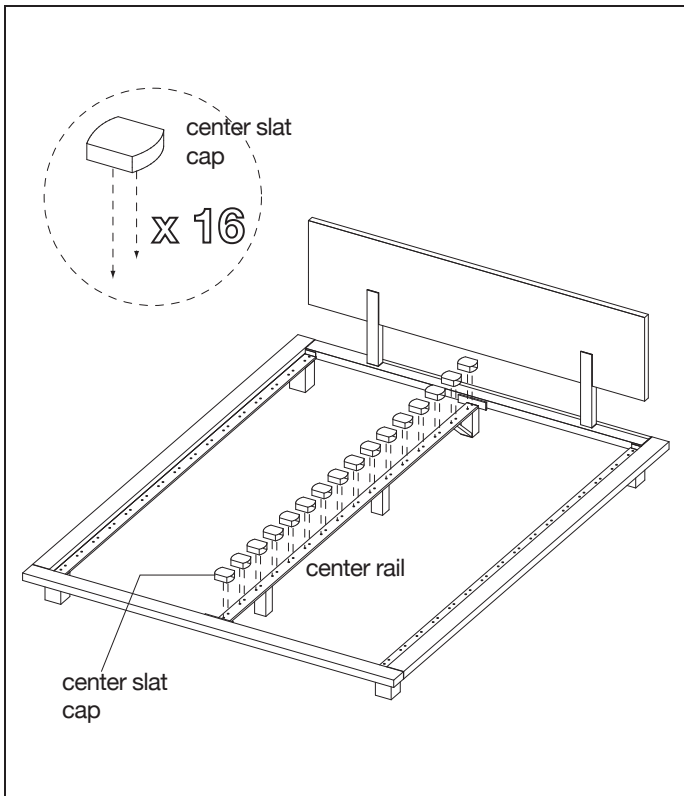


16 - center caps

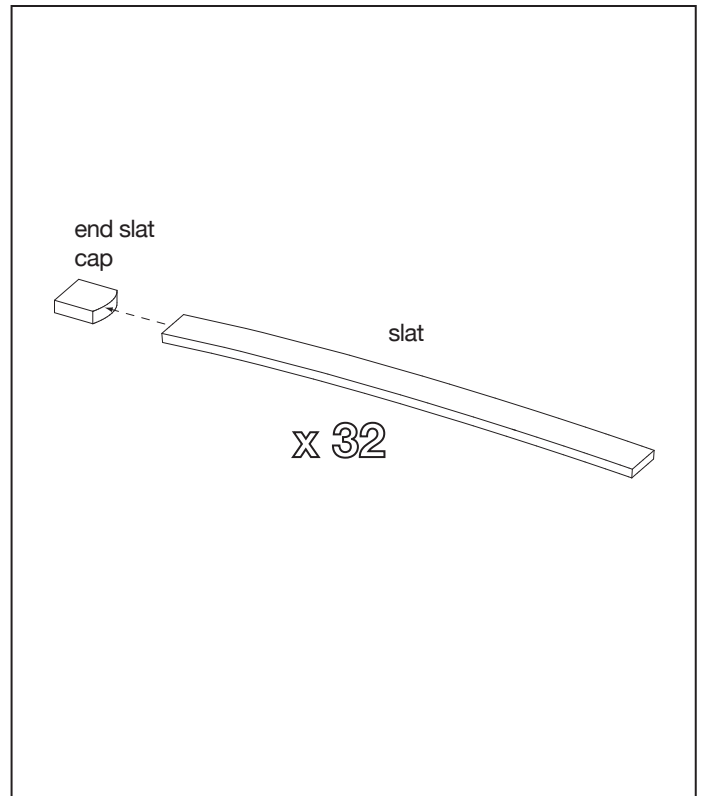


32 - slats

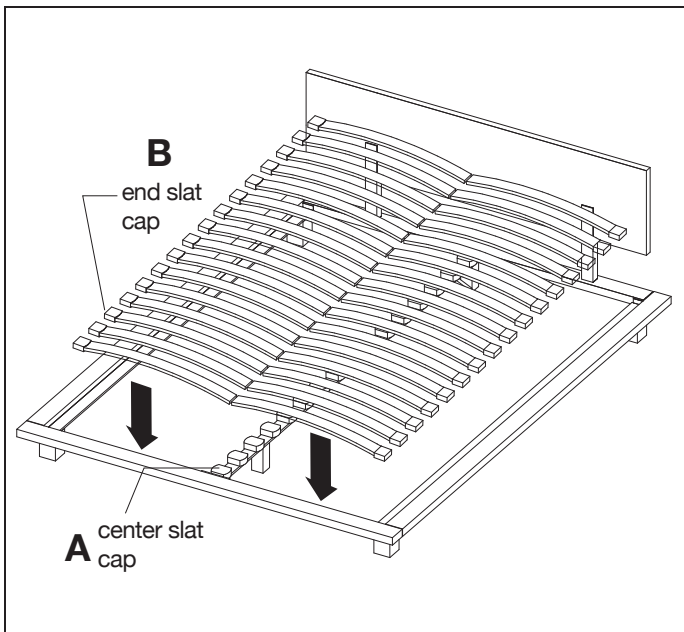




3 Insert 16 **center slat caps** into **center rail** of assembled unit as shown.



4 Fit each **slat** into **end slat cap** as shown.



5

A. Fit each slat assembly into corresponding hole of **center slat cap**. Assemble the slat assemblies starting from the headboard to the footboard.

B. Insert each **end slat cap** of slat assembly into side rails of assembled unit. Assembly is now complete.

CLEANING AND CARE

Clean surfaces with a dry or damp soft cloth. Do not use abrasive cleaners. Do not use furniture wax or polish as the unit is finished with a protective clear lacquer.