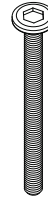
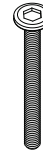


Thank you for purchasing the **Beulah rocking chair**. This page lists all the contents included in the box. Please take the time to identify the hardware as well as the individual components to this product. As you unpack and prepare for assembly, place the contents on a carpeted or padded area to protect them from damage. Note: 2 people are recommended to safely assemble this product.

hardware



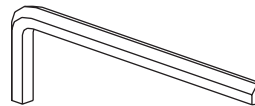
8 - long bolts



2 - short bolts

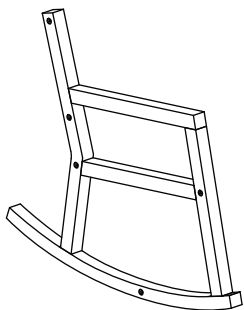
Missing hardware?
Please call **800.606.6387** for replacements.

tools required

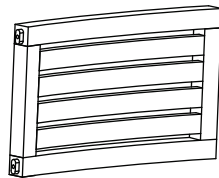


allen wrench
(included)

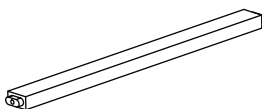
components



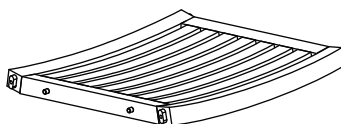
2 - side frames
(1 right, 1 left)



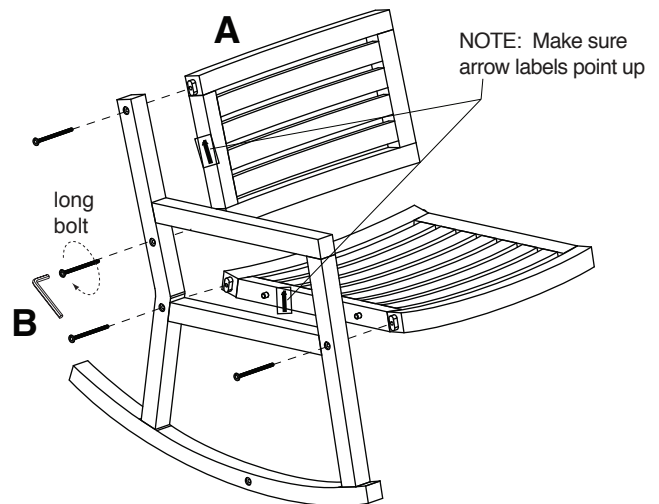
1 - back frame



1 - crossbar



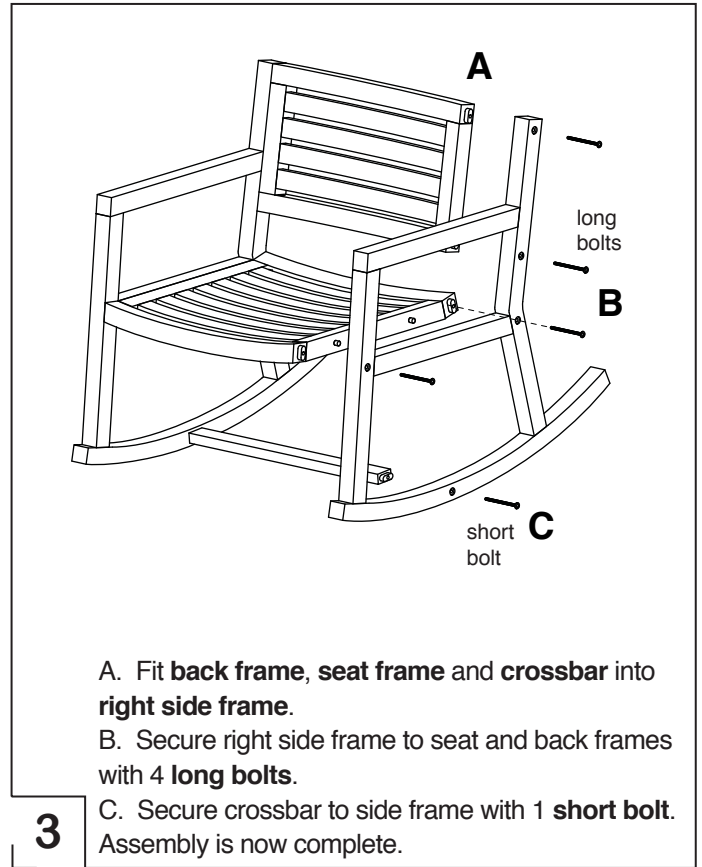
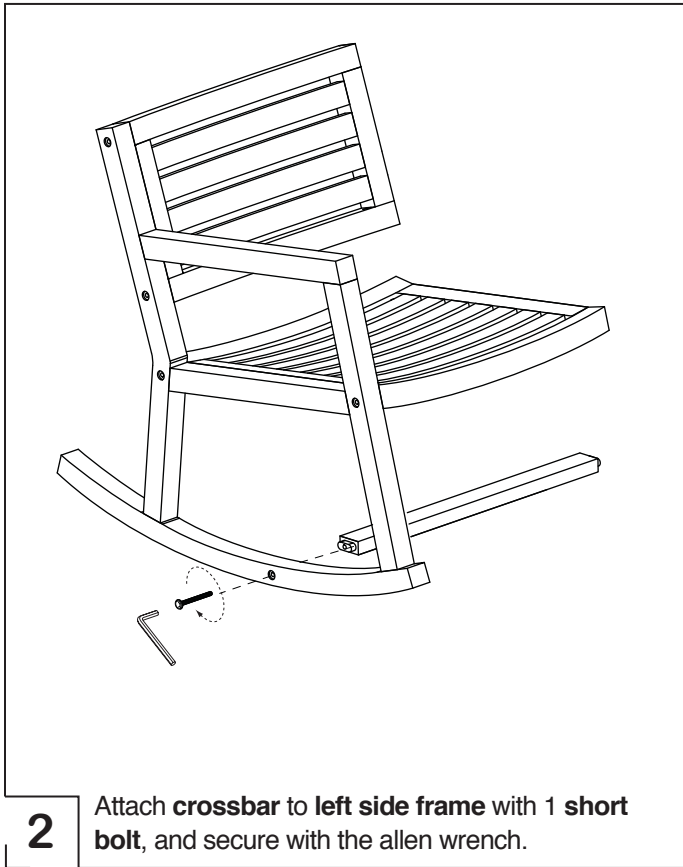
1 - seat frame



A. With the assistance of another adult, fit **back frame** and **seat frame** into **left side frame**. Make sure arrow labels on each component point up as shown.

1

B. Using the **allen wrench**, secure left side frame to seat and back frames with 4 **long bolts**.



cleaning and care

Clean surfaces with a dry or damp soft cloth. Do not use abrasive cleaners. Periodically, tighten bolts as necessary.

During normal weathering, wood may crack slightly due to changes in the moisture; this does not effect the structural integrity of the furniture.

Store or keep covered during inclement weather and when not in use.

To preserve the original finish avoid leaving in direct sunlight for extended periods of time.