

Thank you for purchasing the **Basin Barstool**. This page lists all the contents included in the box. Please take time to identify the hardware as well as the individual components of this product. As you unpack and prepare for assembly, place the contents on a carpeted or padded area to protect them from damage.

hardware



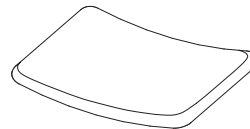
4 - feet



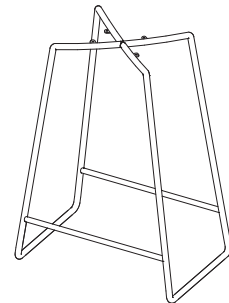
4 - bolts

Missing hardware?
Please call **800.606.6387** for replacements.

components



1 - seat



1 - leg frame

tools required

allen wrench (included)



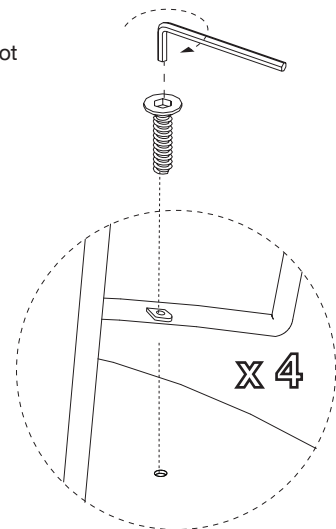
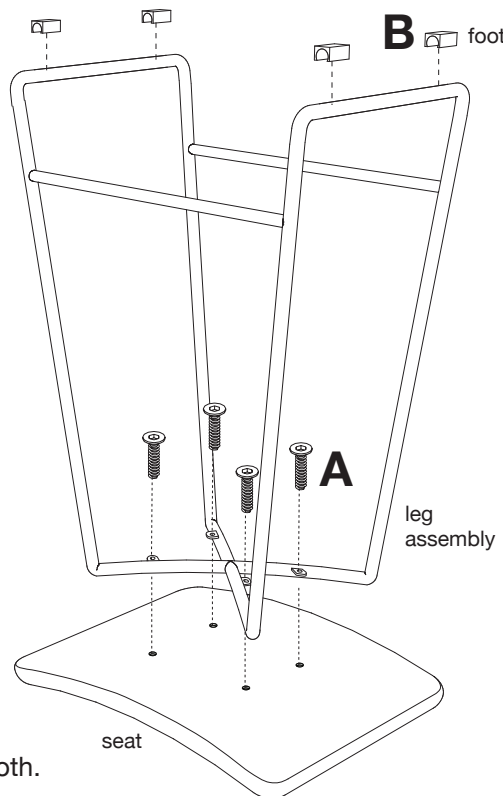
assembly

A) Align holes in **leg frame** over holes in bottom of **seat**. Loosely attach **leg frame** to **seat** with 4 **bolts**. Once all bolts are in place, carefully tighten each bolt using an **allen wrench**. Do not over tighten the bolts.

B) Attach **feet** to assembled unit as shown. Make sure feet are placed evenly to avoid wobbling. Position unit upright.

Assembly is now complete.

NOTE: Bolts should be periodically tightened.



cleaning & care

Clean surfaces with a dry or damp soft cloth.
Do not use abrasive cleaners.