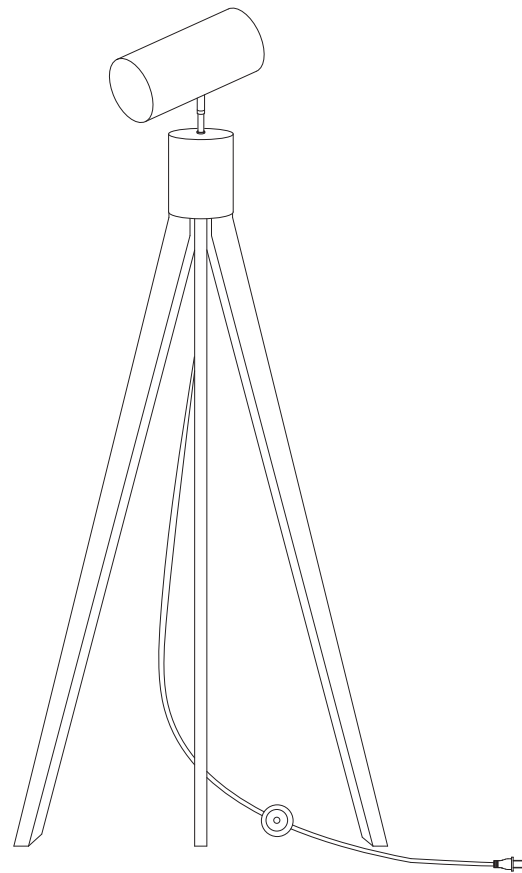
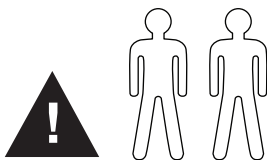


This page lists the contents included in the box. Please take time to identify the hardware as well as the individual components of the product. As you unpack and prepare for assembly, place the contents on a carpeted or padded area to protect them from damage. Please follow the assembly instructions closely. Improper assembly can result in personal or property damage.

NOTE: 2 people are required to safely assemble this product.

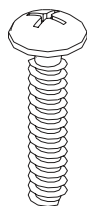


hardware

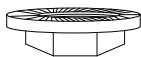
800.606.6387



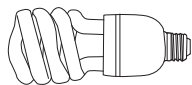
6 - leg nuts



6 - bolts

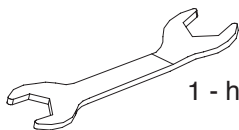


3 - lamp assembly nuts

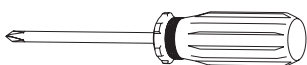


1 - 23 watt max CFL bulb (INCLUDED)
OR

1 - 100 watt max type A standard bulb (NOT INCLUDED)

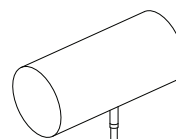


1 - hex wrench (included)



Phillips head screwdriver (not included)

components

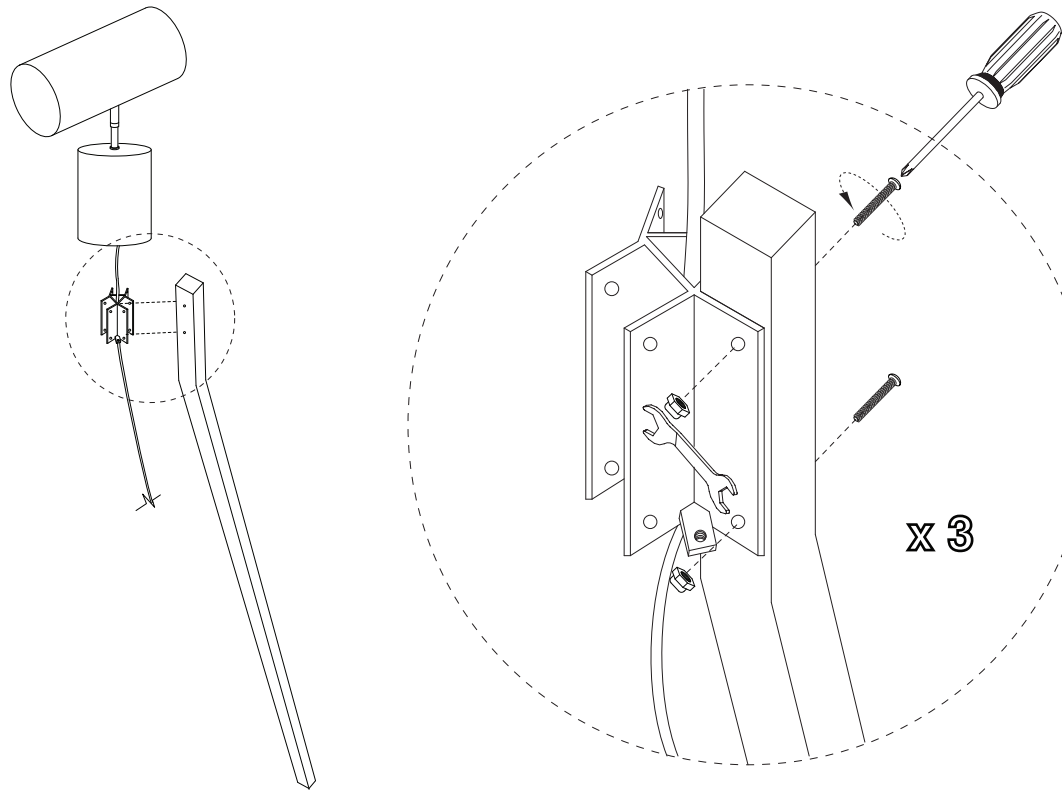


1 - lamp assembly



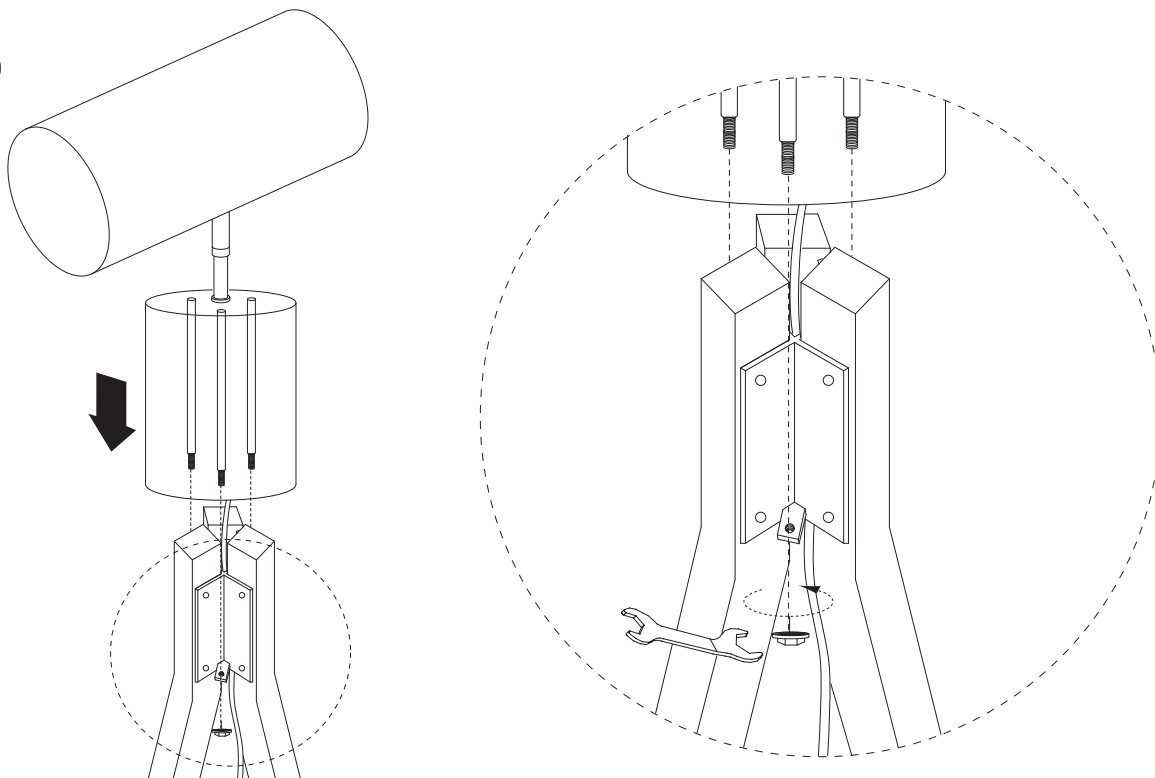
3 - legs

1



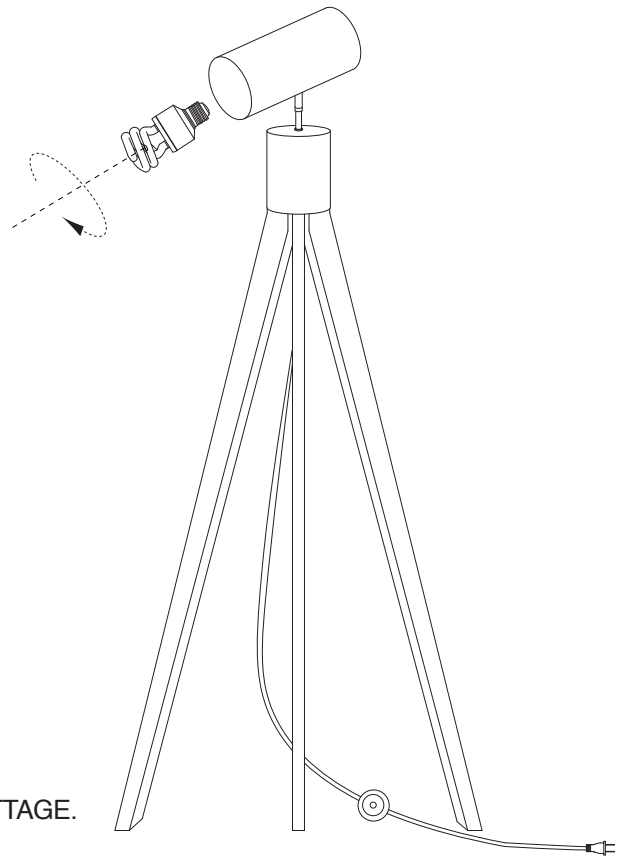
Fit 1 **leg** into *bracket* as shown. Attach leg with 2 **bolts** and 2 **leg nuts**, and secure with the **phillips head screwdriver** and **hex wrench** as shown. Repeat for remaining 2 **legs**.

2



Fit **lamp assembly** onto leg assembly, aligning threaded rods with tabs as shown. Attach lamp assembly with 3 **lamp assembly nuts**, and secure with the **hex wrench**.

3



Insert **bulb** into socket. DO NOT EXCEED SPECIFIED WATTAGE.
Assembly is now complete.

IMPORTANT SAFETY INSTRUCTIONS:

This portable lamp has a polarized plug (one blade is wider than the other) as a safety feature to reduce the risk of electric shock. This plug will fit in a polarized outlet only one way. If the plug does not fit fully in the outlet, reverse the plug. If it still does not fit, contact a qualified electrician. Never use with an extension cord unless plug can be fully inserted. Do not attempt to override this safety feature.

cleaning & care

Dust surfaces with a dry soft cloth. Do not use polishes or cleaners on the lamp.