

Thank you for purchasing the **Asan Chair**. This page lists all the contents included in the box. Please take the time to identify the hardware as well as the individual components to this product. As you unpack and prepare for assembly, place the contents on a carpeted or padded area to protect them from damage.

## hardware



4 - small bolts



8 - large bolts



2 - levelers

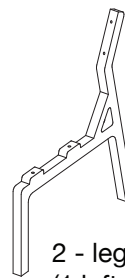
Missing hardware? Please call **800.606.6387** for replacements.

## tool required

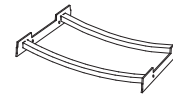


allen wrench (included)

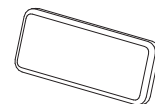
## components



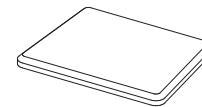
2 - leg frames  
(1 left, 1 right)



1 - connecting  
frame

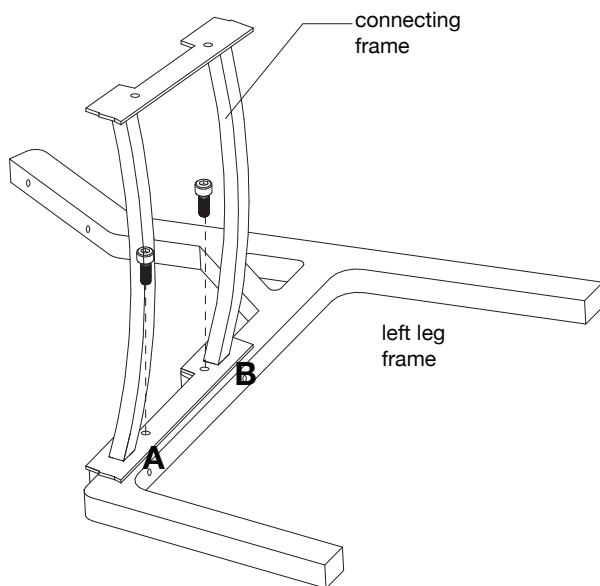


1 - back  
cushion



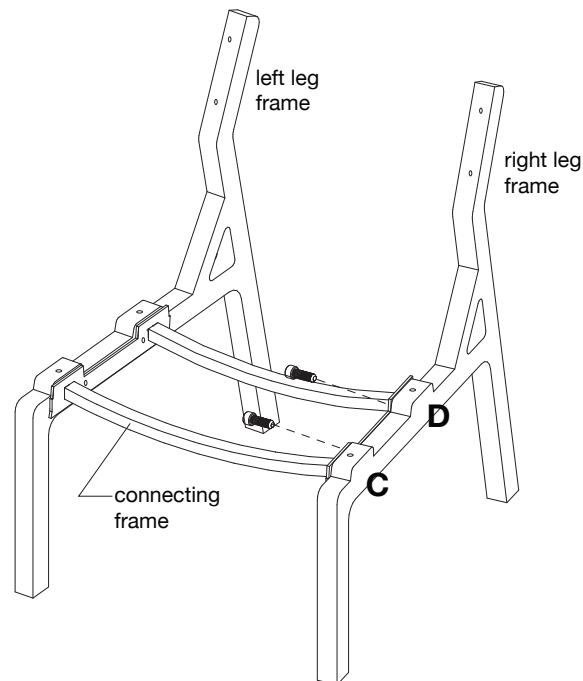
1 - seat  
cushion

NOTE: Do not over tighten the bolts



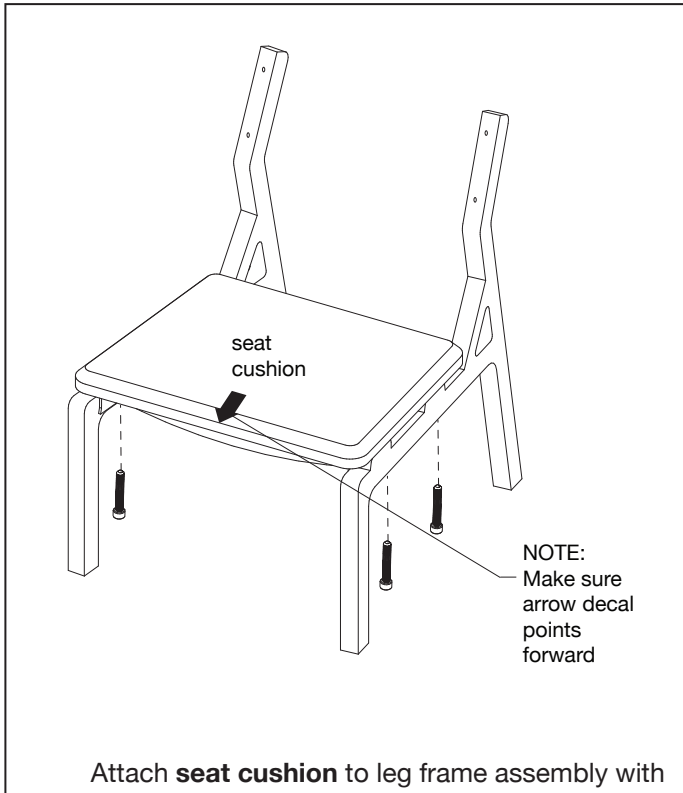
Match "A" and "B" labels of **connecting frame** to **left leg frame** and secure with 2 **small bolts** as shown. Secure, but do not over tighten, bolts with an **allen wrench**.

1

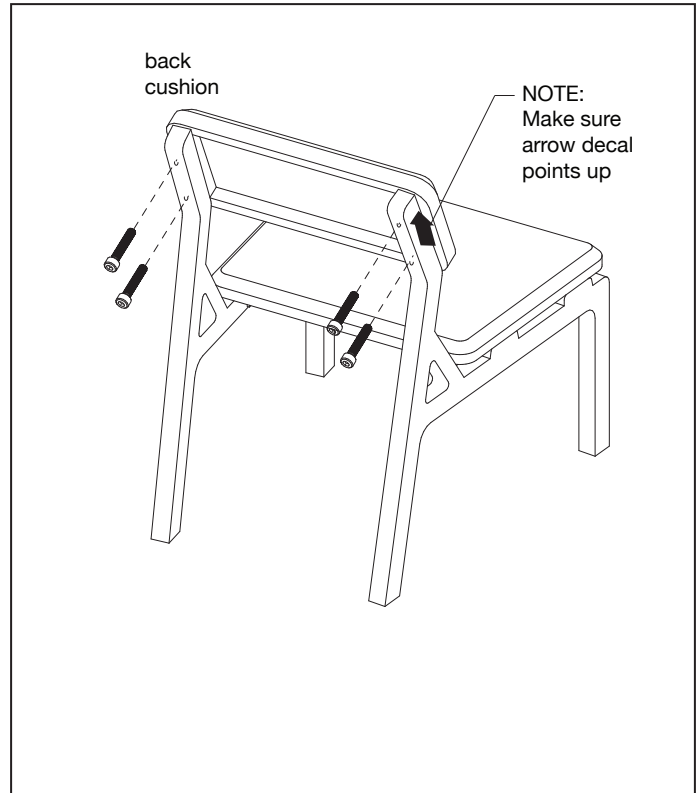


Match "C" and "D" labels and attach **connecting frame** to **right leg frame** with 2 **small bolts** as shown.

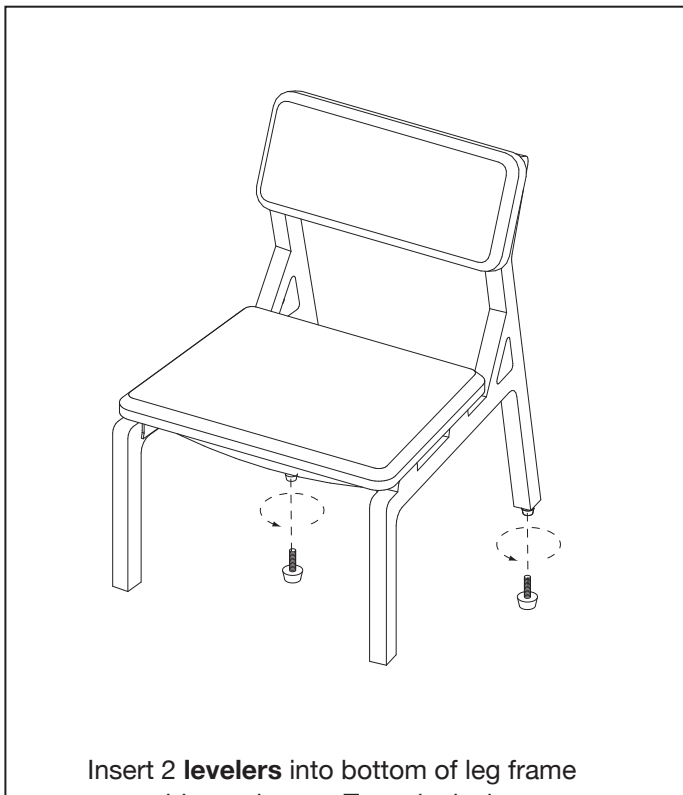
2



**3** Attach **seat cushion** to leg frame assembly with 4 **large bolts** as shown. Make sure arrow decal on seat points forward as shown.



**4** Attach **back cushion** to leg frame assembly with 4 **large bolts** as shown.



**5** Insert 2 **levelers** into bottom of leg frame assembly as shown. Turn clockwise to secure. Assembly is now complete.

## cleaning & care:

Clean surfaces with a dry or damp soft cloth.  
Do not use abrasive cleaners.