

aqua virgo DINING TABLE

CB2



Thank you for purchasing the **Aqua Virgo Table**. This page lists all the contents included in the box. Please take the time to identify the hardware as well as the individual components to this product. As you unpack and prepare for assembly, place the contents on a carpeted or padded area to protect them from damage.

Note: 2 people are recommended to safely assemble this product.

hardware



16 - bolts (8mm x 45mm) 16 - spring washers (12mm dia) 16 - flat washers (22mm dia)

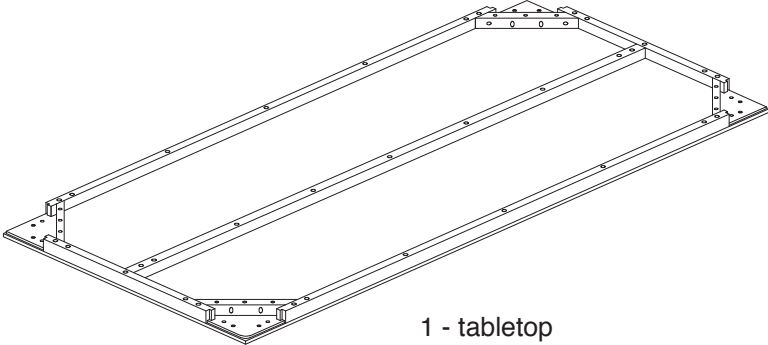
Missing hardware? Please call **800.606.6387** for replacements.

tools required

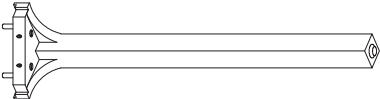


allen wrench (included)

components



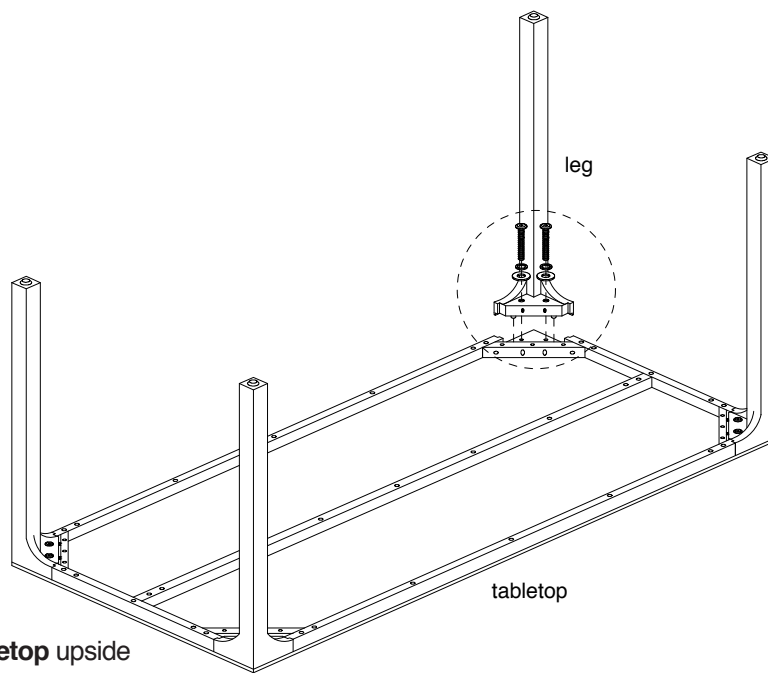
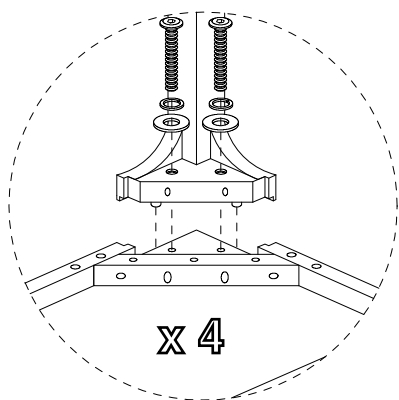
1 - tabletop



4 - legs

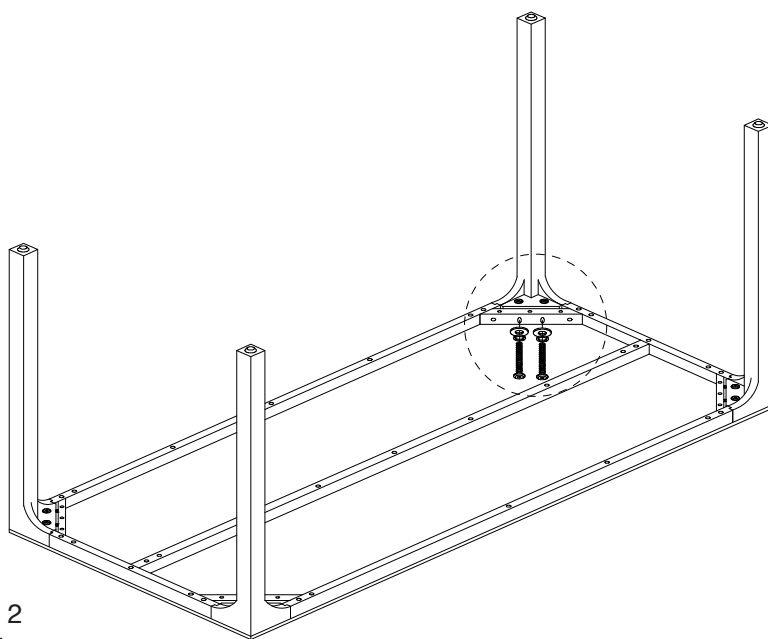
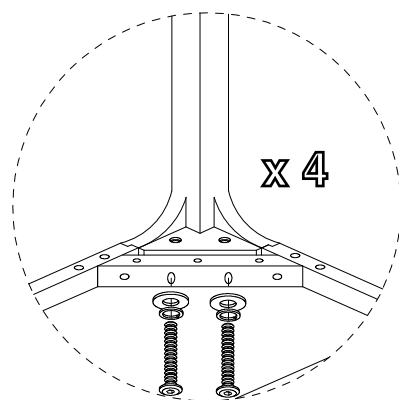
aqua virgo DINING TABLE

CB2



With assistance of another adult, place **tabletop** upside down onto a clean, padded surface. Fit pre-assembled dowels of each **leg** into corresponding holes of **tabletop** as shown. Secure each **leg** to **tabletop** with 2 bolts, 2 **spring washers** and 2 **flat washers**, using an **allen wrench**. Do not over tighten the bolts.

1



Secure **tabletop** to each **leg** with 2 bolts, 2 **spring washers** and 2 **flat washers** as shown. With assistance, position **tabletop** upright. Assembly is now complete.

2

cleaning and care

Clean surfaces with a dry or damp soft cloth. Do not use abrasive cleaners.