

aluminum wall rail



hardware

Missing hardware? Please call **800.606.6387** for replacements.



2 - bolts



8 - set screws
(2 extra provided)



2 - wall brackets



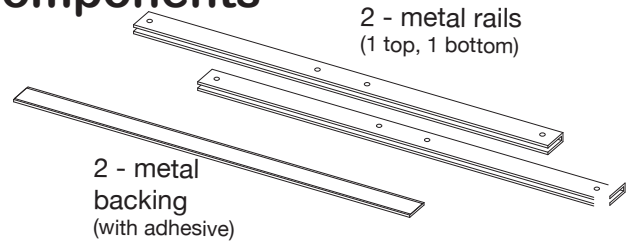
2 - wall screws



2 - plastic anchors

components

2 - metal rails
(1 top, 1 bottom)

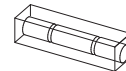


tools required

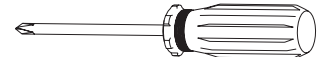
allen wrench (included)



level

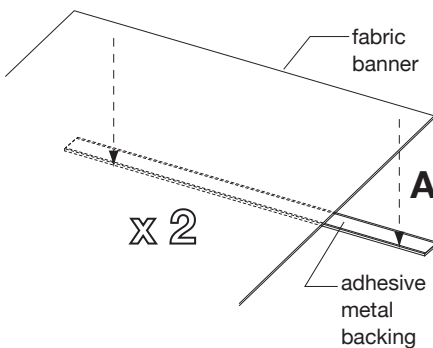


phillips head screwdriver

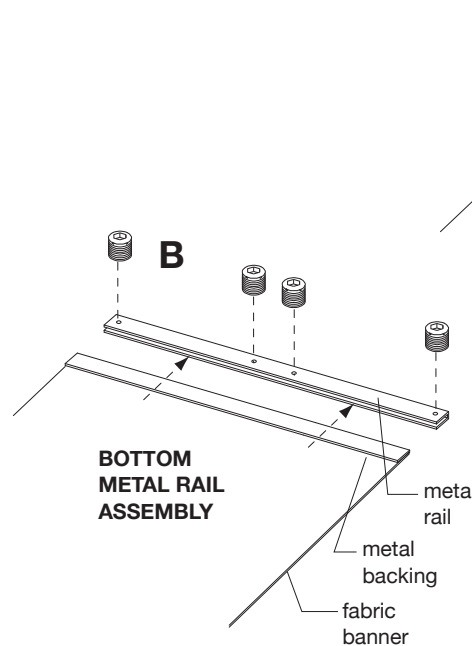


(We recommend the use of hand tools instead of power tools)

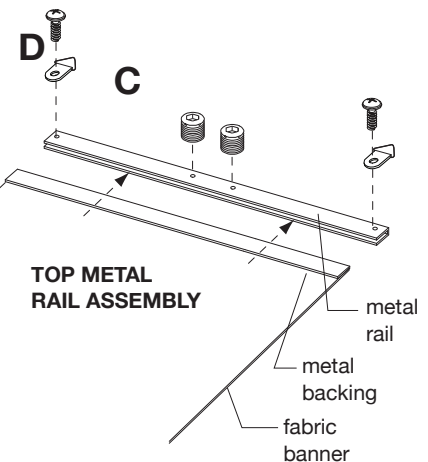
assembly



A. Adhere **metal backings** to top and bottom edge of **fabric banner** (sold separately). Make sure back side of fabric is secured to each metal backing.



B. Fit **metal backing** and bottom edge of fabric into slot of **metal rail** as shown. Using an **allen wrench** secure with 4 **set screws** as shown. Do not over tighten.



C. Fit **metal backing** and top edge of fabric into slot of remaining **metal rail** and secure with 2 **set screws** as shown.

D. Attach 2 **wall brackets** to **metal rail** with 1 **bolt** per bracket. Secure, but do not over tighten, with a **phillips head screwdriver**. Assembly is now complete.

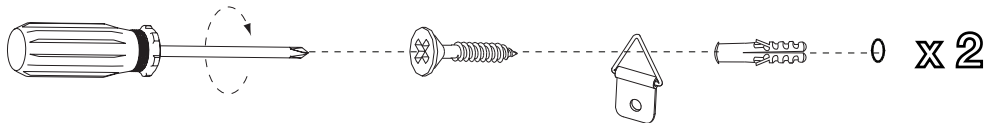
wall mounting assembly

For safe mounting, it is essential to use wall anchors appropriate to your wall type (i.e. plaster, drywall, concrete, etc.). Mount to wood studs whenever possible. The following instructions are for drywall mounting only:

NOTE: If you are unsure about your wall type or what mounting method you should use, consult a qualified professional or your local hardware store.

- A. Determine where you wish to hang the **aluminum wall rail**. Using a **level**, adjust the top rail until it is level. Mark on the wall at the 2 wall bracket locations. Make sure all marks are level.
- B. Drill 2 pilot holes into marked positions on the wall and into a wall stud. If the wall stud is not available, drill a hole at each mark slightly smaller than the diameter of the plastic anchor.
- C. Gently tap 2 **plastic anchors** until the flange of each anchor is flush with the wall.
- D. Align **wall brackets** with corresponding anchors in wall. Fasten 2 **bolts** with a **phillips head screwdriver** through **wall brackets** and into **plastic anchors**.

Wall mounting is now complete.



cleaning and care

Clean surfaces with a dry or damp soft cloth.
Do not use abrasive cleaners.