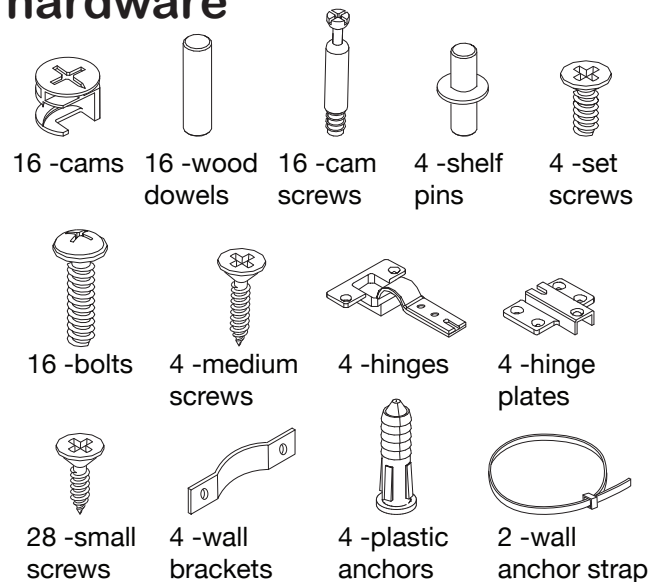
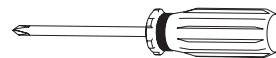


Thank you for purchasing the **Acacia Bath Cabinet**. This page lists all the contents included in the box. Please take the time to identify the hardware as well as the individual components to this product. As you unpack and prepare for assembly, place the contents on a carpeted or padded area to protect them from damage.
 Note: 2 people are required to safely assemble this product.

hardware



tools required

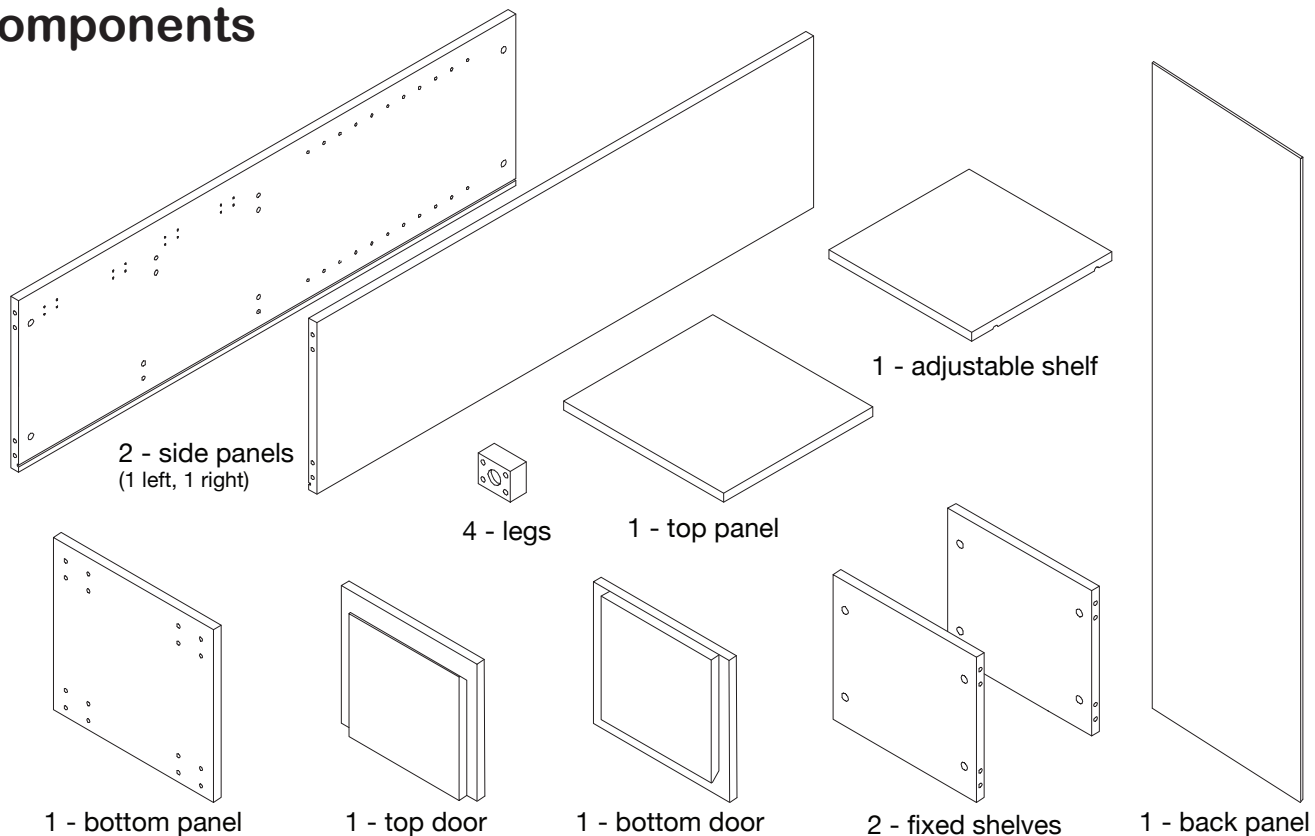


Phillips head screwdriver

Missing hardware?
 Please call **800.606.6387** for replacements.

Note: We recommend the use of hand tools instead of power tools.

components



NOTE: Make sure arrows on each cam points towards nearest edge with holes

X 2
left and right side panels

NOTE: Do not overtighten screws

Insert 4 **wood dowels**, 4 **cam screws**, and 4 **cams** into **left and right side panels** as shown. Make sure arrows on each cam points toward nearest edge with holes as shown. Secure, but do not overtighten, screws with a **phillips head screwdriver**.

1

A
top panel

B
fixed shelf **X 2**

2

A. Insert 4 **cam screws** and 4 **wood dowels** into **top panel** as shown.
B. Insert 4 **cams** into each **fixed shelf**.

bolt
leg
bottom panel

3

Attach each **leg** to **bottom panel** with 4 **bolts** using a **phillips head screwdriver**.

bottom assembly

4

Insert 4 **cam screws** and 4 **wood dowels** into **bottom assembly** as shown.

5

Fit dowels of each side panel into corresponding holes of **fixed shelves** as shown. With a screwdriver, turn each **cam** clockwise until it securely engages each cam screw. Make sure cams face toward the bottom, as shown, and make sure grooves on the side panels face each other towards the back as shown.

6

Fit dowels and cam screws of bottom assembly into corresponding holes of side panels as shown. Secure all **cams**.

7

With the assistance of another adult, position unit upright as shown. Slide **back panel** down into grooves in side and bottom panels as shown.

8

Fit dowels and cam screws of **top panel** into corresponding holes of side panels as shown. Make sure the groove in the top panel fits over the back panel. Secure all **cams**.

9 Place **top** and **bottom doors** on padded surface and attach 2 **hinges** with 4 **small screws**. Secure screws with a screwdriver.

10 A. Insert 4 **shelf pins** into holes at the desired shelf height.
B. Align holes in 4 **hinge plates** with corresponding holes in the left side panel as shown. Attach each hinge plate with 4 **small screws**. Secure screws with a screwdriver.

11 Place **adjustable shelf** onto assembled unit. Make sure shelf is securely supported by shelf pins.

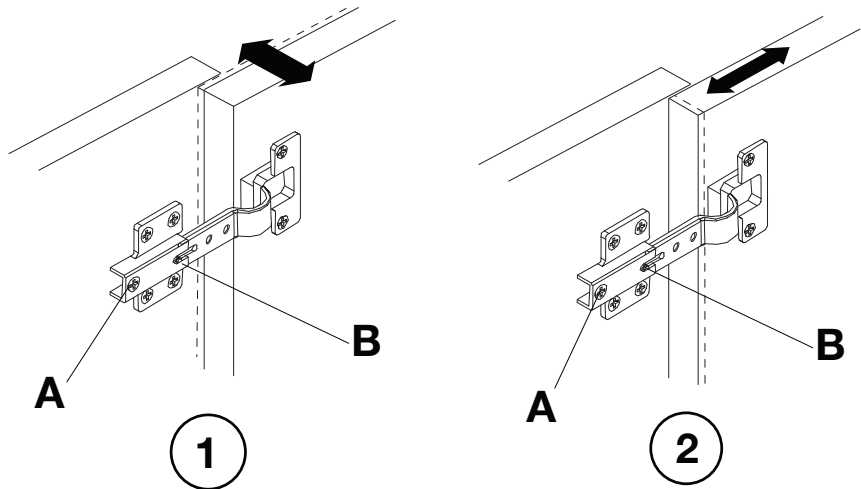
12 Attach doors to assembled unit by aligning **hinges** and **hinge plates**. Secure each hinge with 1 **set screw** as shown, using a screwdriver. Refer to the last page of these instructions for adjusting the alignment of the door hinges.

hinge adjustments

Refer to the *Hinge Adjustment* diagram of these instructions for adjusting the alignment of the door hinges.

1) **Side to side adjustment:** Loosen screw **A**, adjust gap with screw **B** and re-tighten screw **A**.

2) **Depth adjustment:** Loosen screw **A**, push hinge arm forwards or backwards, re-tighten screw **A** and secure screw **B** with a 1/4 turn clockwise.



cleaning and care

Clean surfaces with a dry or damp soft cloth. Do not use abrasive cleaners. Do not use furniture wax or polish as the unit is finished with a protective clear lacquer. It is recommended to use coasters to protect surface from heat and water.

safety mounting instructions

For added safety and stability, it is recommended that the wall mounting hardware be installed. For safe mounting, it is essential to use wall anchors appropriate to your wall type (i.e. plaster, drywall, concrete, etc.). Mount to wood studs whenever possible.

A) Attach 1 **wall bracket** to top of unit as shown, using 2 **small screws** per bracket.

B) Determine the final location of unit. Mark position on the wall, approximately 2" below the bracket mounted to the back of the unit.

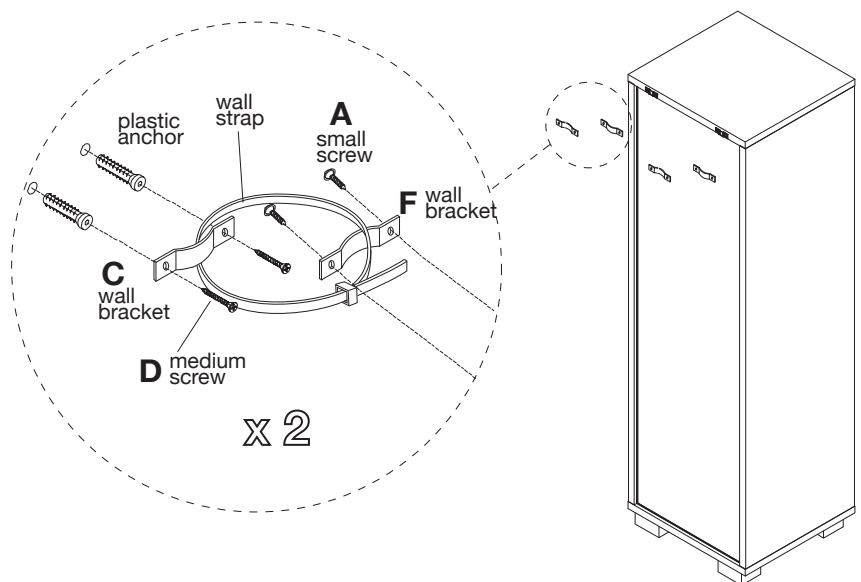
C) Drill a hole in the wall stud. If the wall stud is not available, drill a hole in the wall that is slightly smaller in diameter than the anchor. Gently tap the **plastic anchor** until the flange of the anchor is flush with the wall.

D) Attach the **wall bracket** to the wall by inserting 2 **medium screws** through the wall bracket and into the wall anchor in the wall.

E) Place the unit so the wall bracket on the back edge is aligned with the wall bracket.

F) Lace one end of the **wall strap** through both brackets, and into the other end of the strap.

G) Pull the strap tightly until secure. Repeat steps for remaining brackets and wall strap.



NOTE:

If you are unsure about your wall type or what mounting method you should use, consult a qualified professional or your local hardware store.