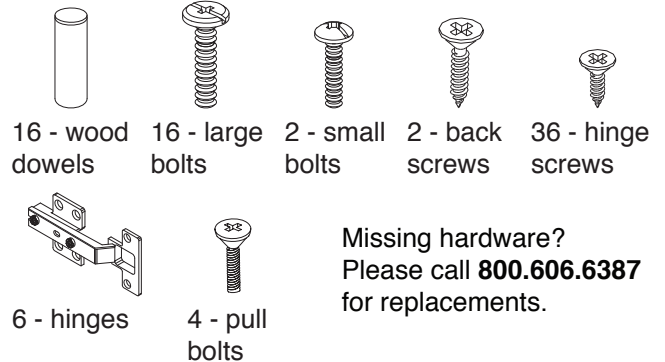


Thank you for purchasing the **A Symmetric Closet**. This page lists all the contents included in the box. Please take the time to identify the hardware as well as the individual components to this product. As you unpack and prepare for assembly, place the contents on a carpeted or padded area to protect them from damage.

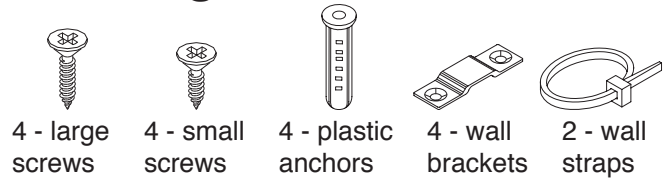
Note: 2 people are recommended to safely assemble this product.

assembly hardware



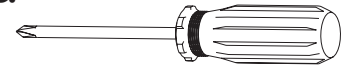
Missing hardware?
Please call **800.606.6387**
for replacements.

mounting hardware



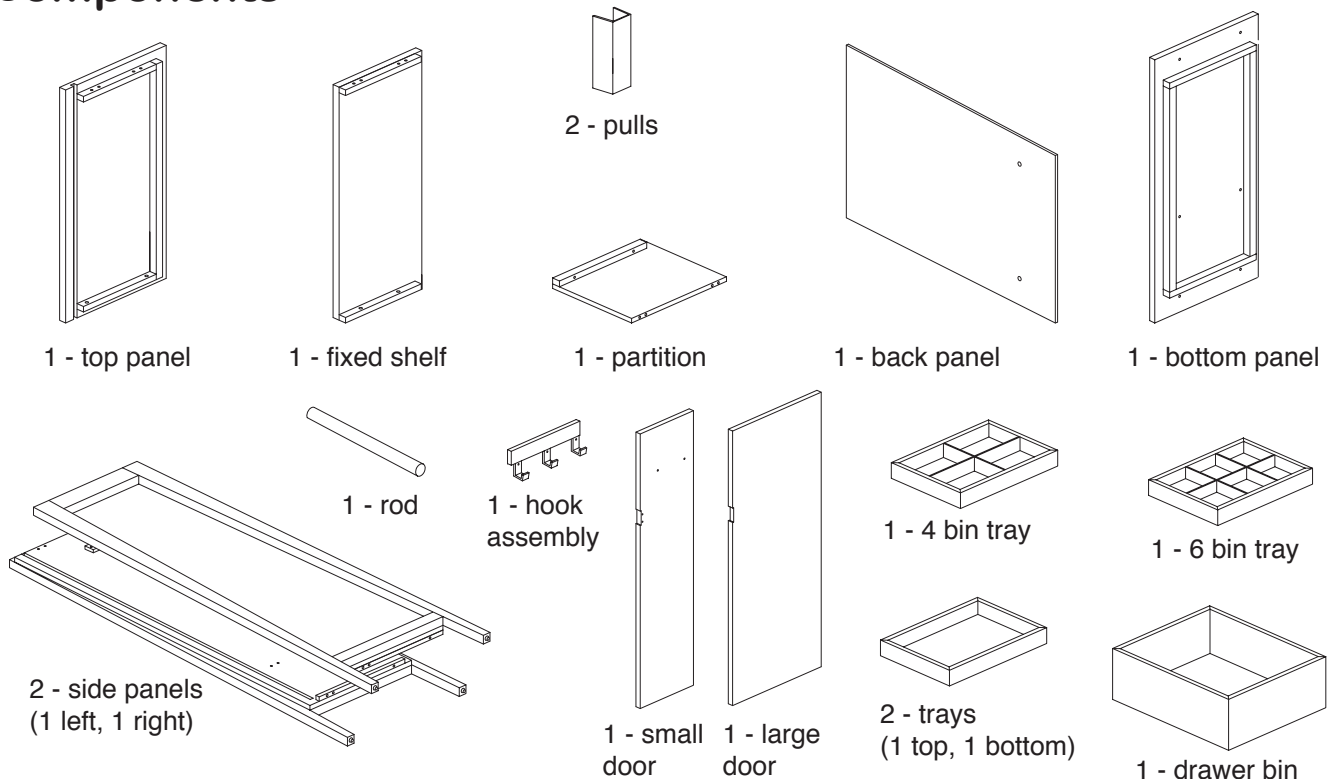
tools required

phillips head screwdriver



(We recommend the use of hand tools instead of power tools)

components



NOTE: Do not over tighten the bolts

A. Insert 2 **wood dowels** into **fixed shelf** as shown.

B. Fit **partition** onto dowels of **fixed shelf** and attach with 2 **large bolts**. Secure, but do not over tighten, with a **phillips head screwdriver**.

1

A. Insert 4 **wood dowels** into **right side panel** as shown.

B. Fit dowels of **right side panel** into corresponding holes of **top panel** and **fixed shelf**. Secure top panel and fixed shelf with 2 **large bolts**, using a screwdriver.

2

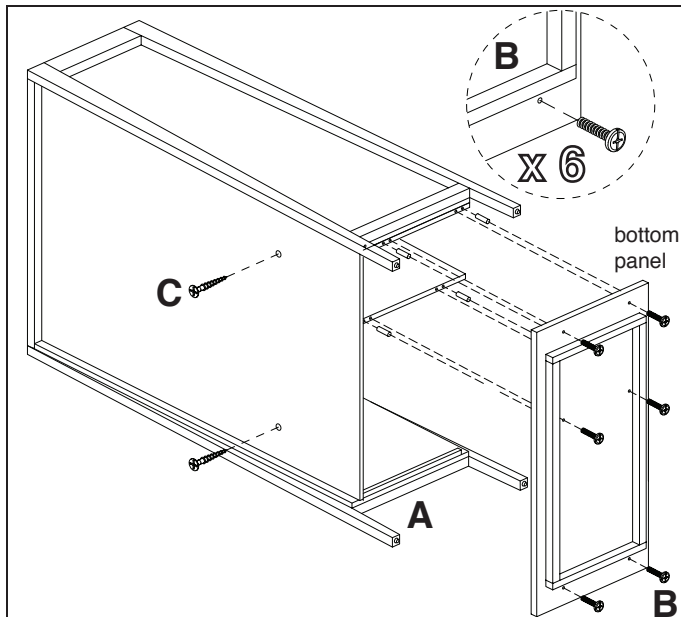
With the assistance of another adult, carefully slide **back panel** into corresponding grooves of **top and right side panel** as shown.

3

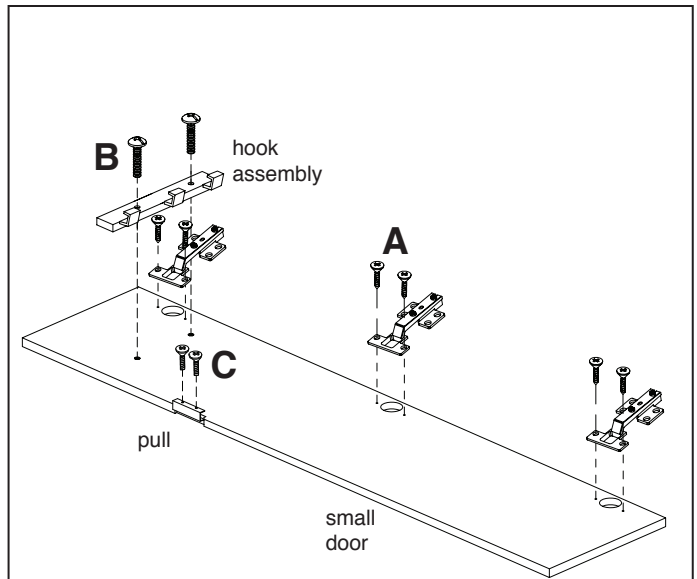
A. Insert 4 **wood dowels** into **top panel** and **fixed shelf** as shown.

B. Fit dowels of **top panel** and **fixed shelf** into corresponding holes of **left side panel**. Secure top panel and fixed shelf with 2 **large bolts**.

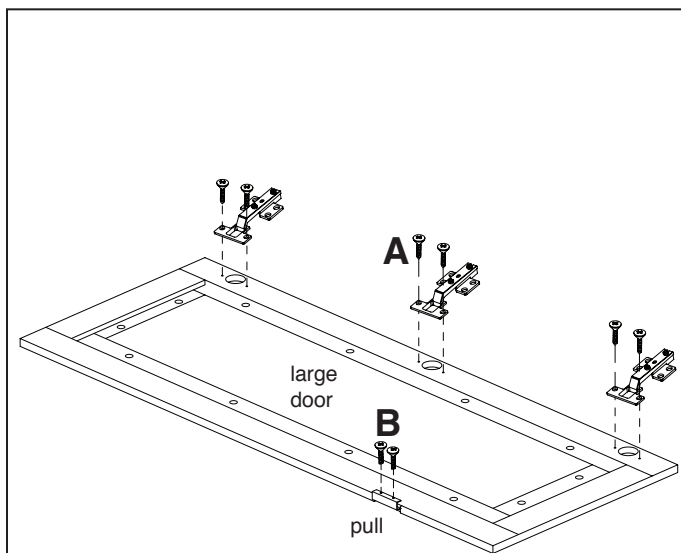
4



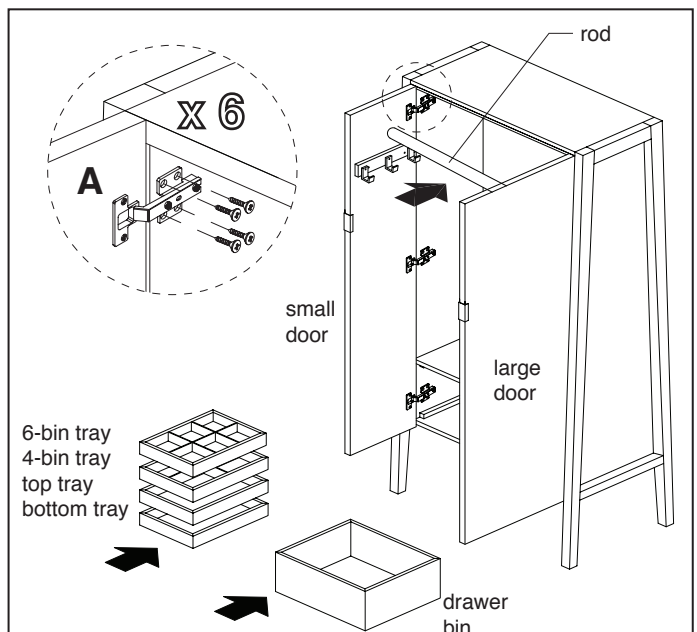
- 5**
- A. Insert 6 **wood dowels** into **left/right side panels and partition** as shown.
 - B. Fit dowels of **left/right side panels and partition** into corresponding holes of **bottom panel**. Secure bottom panel with 6 **large bolts** as shown.
 - C. Secure **back panel** to assembly with 2 **back screws** as shown.



- 6**
- A. Attach 3 **hinges** to **small door** with 2 **hinge screws** per hinge, using a screwdriver.
 - B. Attach **hook assembly** to **small door** with 2 **small bolts**.
 - C. Attach 1 **pull** to **small door** with 2 **pull bolts**, using a screwdriver.



- 7**
- A. Attach 3 **hinges** to **large door** with 2 **hinge screws** per hinge, using a screwdriver.
 - B. Attach 1 **pull** to **large door** with 2 **pull bolts**, using a screwdriver.



- 8**
- A. With assistance of another adult, attach hinges of **small and large doors** to hinges of side panels with 4 **hinge screws** per hinge.
 - B. Fit **rod** onto pre-attached supports on side panels of assembly.
 - C. Insert **trays and drawer bin** into assembly. Assembly is now complete.

hinge adjustment

If the doors do not appear square or aligned, loosen or tighten the appropriate screws on each case hinge as illustrated.

1

Side to side adjustment:
Loosen screw **A**, adjust gap with screw **B** and re-tighten screw **A**

2

Depth adjustment:
Loosen screw **A**, push hinge arm forwards or backwards, re-tighten screw **A** and secure screw **B** with a 1/4 turn clockwise

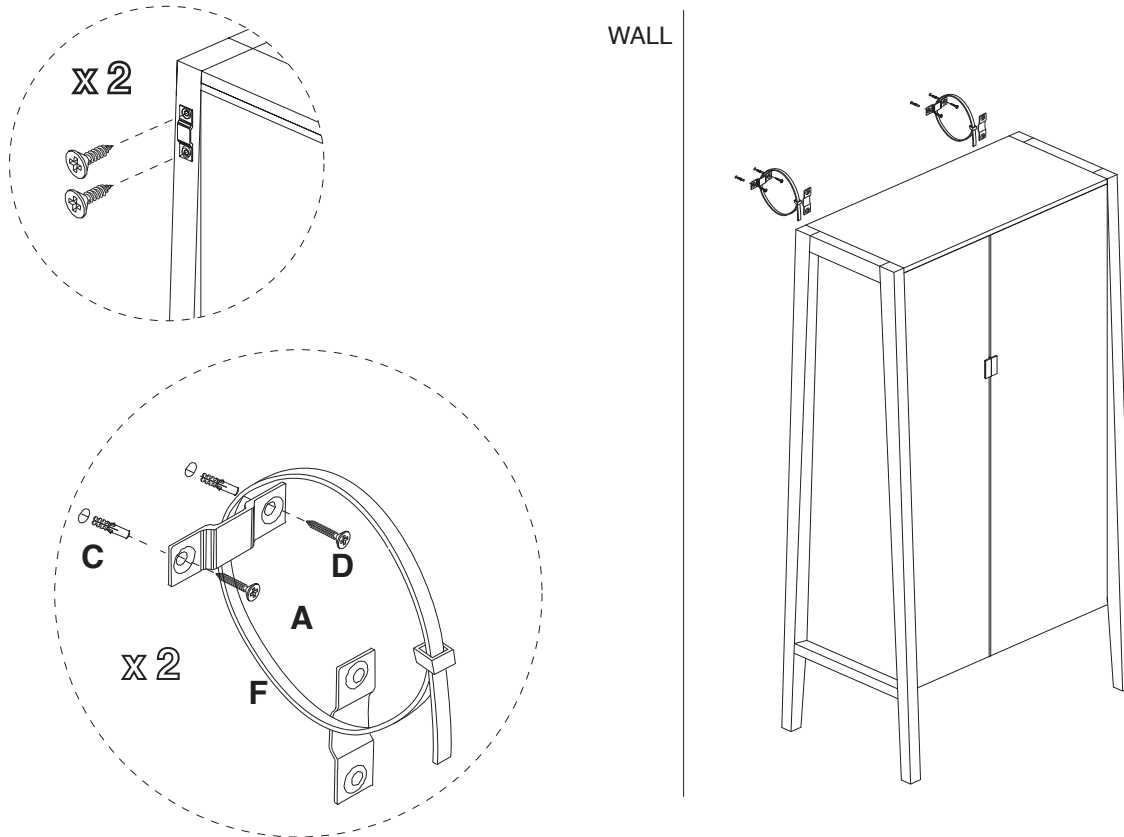
3

Height adjustment:
Loosen screw **C**, adjust door height and re-tighten screw **C**

cleaning & care

Clean surfaces with a dry or damp soft cloth. Do not use abrasive cleaners. Do not use furniture wax or polish as the unit is finished with a protective clear lacquer.

optional wall mounting assembly



NOTE: If you are unsure about your wall type or what mounting method you should use, consult a qualified professional or your local hardware store.

For added safety and stability, it is recommended that the wall mounting hardware be installed. For safe mounting, it is essential to use wall anchors appropriate to your wall type (i.e. plaster, drywall, concrete, etc.). Mount to wood studs whenever possible.

- A) Attach 2 **mounting brackets** to top of unit using 2 **small screws** per bracket.
- B) Determine the final location of unit. Mark position on the wall, approximately 2" below each mounting bracket on the back of the unit.
- C) Drill a hole in the wall stud. If a wall stud is not available, drill a hole in the wall that is slightly smaller in diameter than the anchor. Gently tap the **plastic anchor** until the flange of the anchor is flush with the wall.
- D) Attach the **mounting brackets** to the wall by inserting 2 **large screws** through each mounting bracket and into the wall anchor in the wall.
- E) Position the unit so the mounting brackets on the back of the unit are aligned with the wall brackets.
- F) Lace one end of each **wall strap** through corresponding brackets, and into the other end of the strap.
- G) Pull the straps tightly until secure.

Wall mounting assembly is now complete.