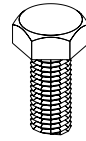


Thank you for purchasing the **Engineer Table**. This page lists all the contents included in the box. Please take time to identify the hardware as well as the individual components of this product. As you unpack and prepare for assembly, place the contents on a carpeted or padded area to protect them from damage. **NOTE:** 2 people are required to safely assemble this product.

## hardware



8 - hex bolts



8 - hex nuts



8 - spring washers



4 - pads

Missing hardware?

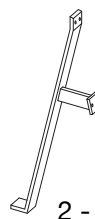
Please call **800.606.6387** for replacements.

## tools required

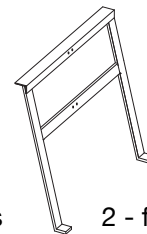


2 - hex wrenches (included)

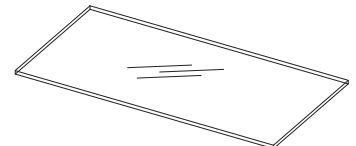
## components



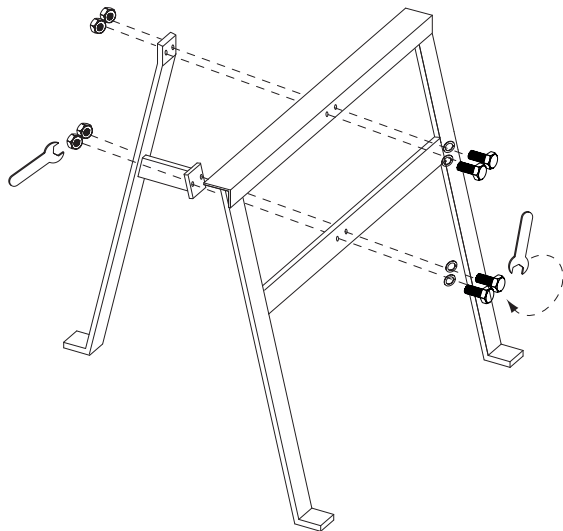
2 - legs



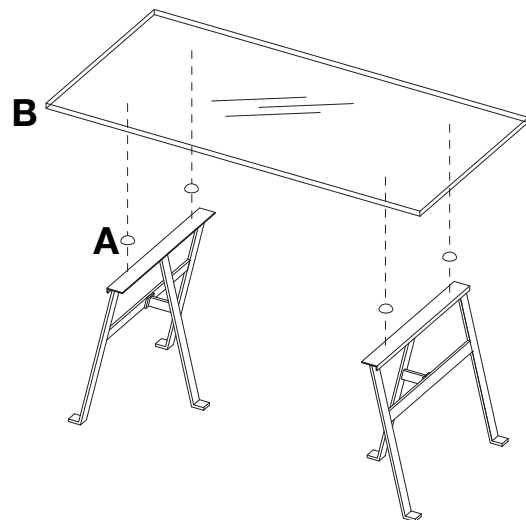
2 - frames



1 - glass top



**1** Attach **leg** to **frame** with 4 **hex bolts**, 4 **spring washers** and 4 **hex nuts** as shown. Use 1 **hex wrench** to hold hex bolt in place, while securing hex nut with the remaining hex wrench. Make sure hex bolts and hex nuts are assembled as shown. Repeat steps for remaining **leg and frame**.



**2** A. Adhere 2 **pads** to each leg assembly as shown. B. Position leg frame assemblies upright as shown. Make sure leg of each assembly is oriented as shown. With the assistance of another adult, carefully place **glass top** onto assemblies as shown. Assembly is now complete.

## cleaning & care

Clean surfaces with a dry or damp soft cloth. Do not use abrasive cleaners. Do not use furniture wax or polish as the unit is finished with a protective clear lacquer. It is recommended to use coasters to protect surface from heat and water.