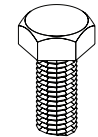


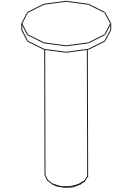


Thank you for purchasing the **Double Decker Bed**. This page lists all the contents included in the box. Please take the time to identify the hardware as well as the individual components to this product. As you unpack and prepare for assembly, place the contents on a carpeted or padded area to protect them from damage.
Note: 2 people are required to safely assemble this product.

hardware



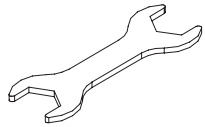
8 - bolts



8 - rivets

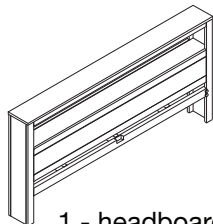
Missing hardware?
Please call **800.606.6387** for replacements.

tools required

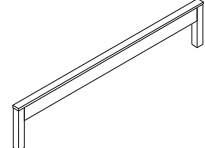


hex wrench (included)

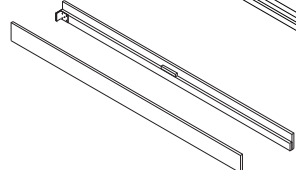
components



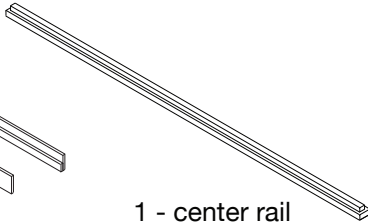
1 - headboard



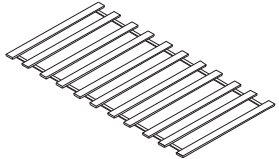
1 - footboard




2 - side rails
(1 right, 1 left)



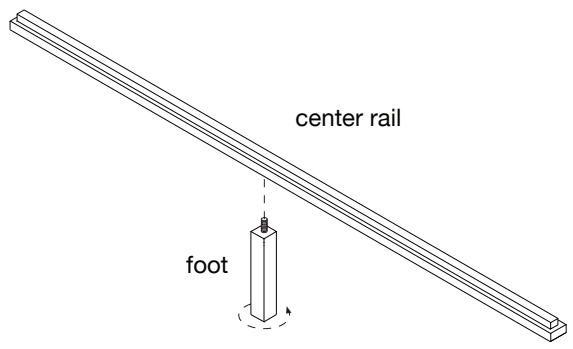
1 - center rail



2 - slat rolls



1 - leg

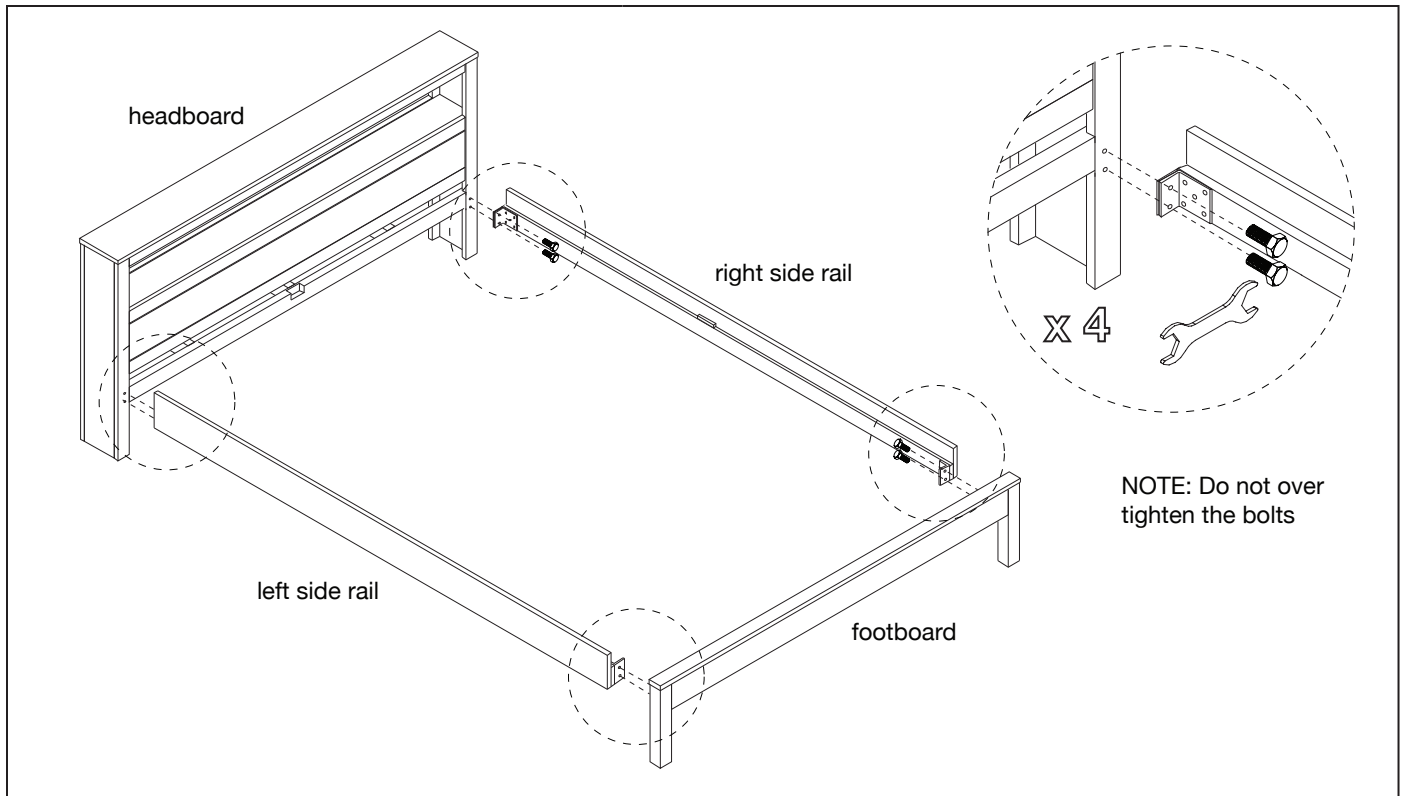


center rail

foot

1 Attach 1 **leg** to **center rail** as shown. Turn **leg** clockwise to secure.

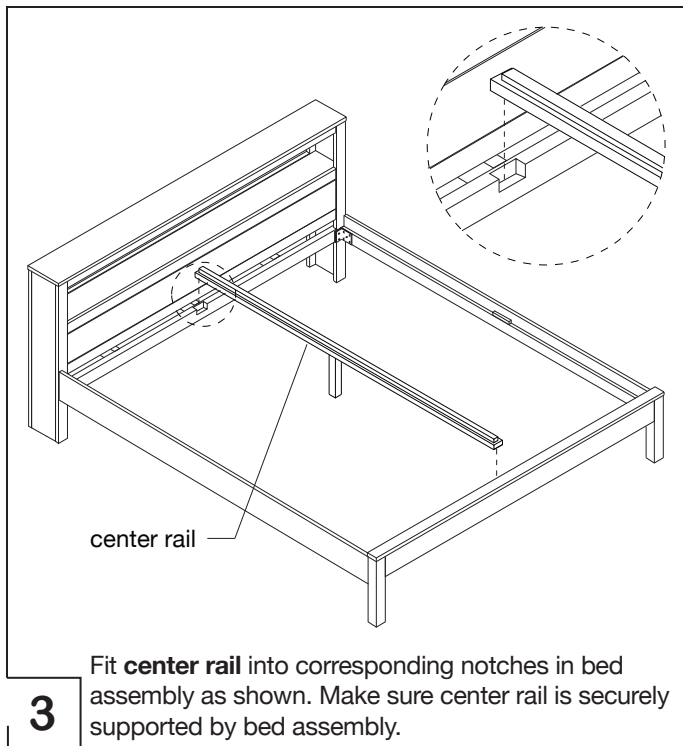
double decker BED



NOTE: Do not over tighten the bolts

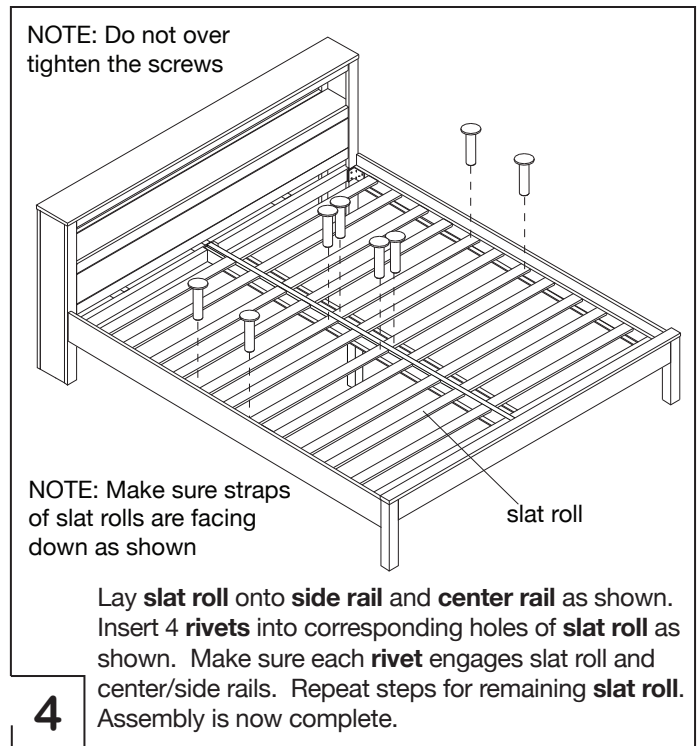
2

With the assistance of another adult, attach **left and right side rails** to **headboard** and **footboard** as shown. Secure, but do not over tighten, each **side rail** with 4 **large bolts** using a **hex wrench**.



3

Fit **center rail** into corresponding notches in bed assembly as shown. Make sure center rail is securely supported by bed assembly.



4

NOTE: Do not over tighten the screws

NOTE: Make sure straps of slat rolls are facing down as shown

Lay **slat roll** onto **side rail** and **center rail** as shown. Insert 4 **rivets** into corresponding holes of **slat roll** as shown. Make sure each **rivet** engages slat roll and center/side rails. Repeat steps for remaining **slat roll**. Assembly is now complete.

CLEANING AND CARE

Clean surfaces with a dry or damp cloth. Do not use abrasive cleaners. Do not use furniture wax or polish as the unit is finished with a protective clear lacquer.