



Thank you for purchasing the **Coconut Bed**. This page lists all the contents included in the box. Please take the time to identify the hardware as well as the individual components to this product. As you unpack and prepare for assembly, place the contents on a carpeted or padded area to protect them from damage.

Note: 2 people are required to safely assemble this product.

hardware



4 - hex bolts



8 - hex screws



12 - spring washers



27 - screws



2 - spacers

Missing hardware?
Please call **800.606.6387** for replacements.

tools required

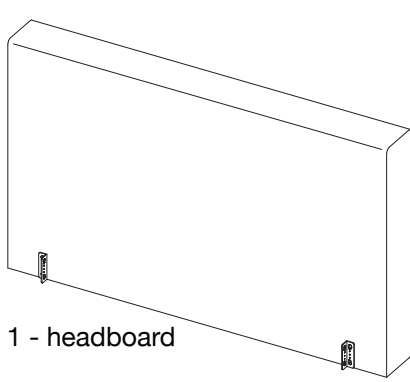


hex wrench

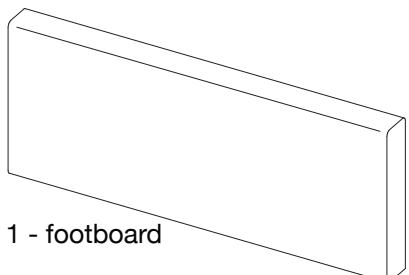


power drill

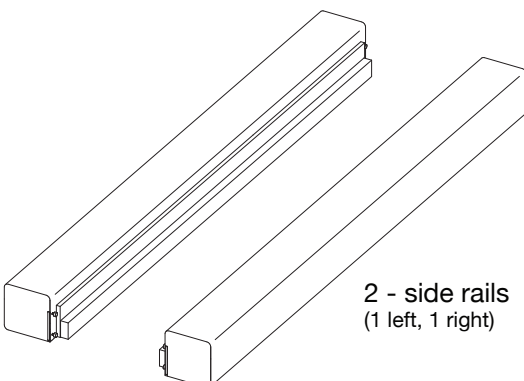
components



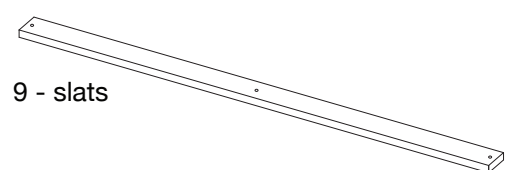
1 - headboard



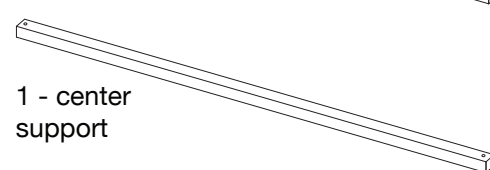
1 - footboard




2 - side rails
(1 left, 1 right)



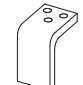
9 - slats



1 - center support



2 - support legs



4 - legs

2 Attach 2 legs to **headboard** and **footboard** with 1 **hex bolt**, 2 **hex screws** and 3 **spring washers** per leg as shown. Secure hex bolts and hex screws with a **hex wrench**.

3 With the assistance of another adult, lift both ends of **side rail** so it is the same distance from the floor. At this point, insert pegs of each **side rail** into corresponding holes in each bracket of **headboard** as shown. Push down firmly at each bracket until it locks into position.

4 Attach brackets of **left/right side rails** into corresponding brackets of **footboard** as shown.

5 Attach 2 **slats** to **center rail** with 1 **screw** per slat as shown. Secure, but do not over tighten, screw with a **power drill**.

center support assembly

support leg

6 Attach 2 **support legs** to center support assembly as shown. Turn each support leg clockwise to secure.

7 Align slats so they are parallel to the headboard and footboard. Secure assembly with 4 **screws** as shown. Make sure center support is securely supported by each support leg.

spacer

x 21

spacer

8 Attach remaining 7 **slats** to center support rail with 3 **screws** per slat as shown. Before securing each screw to side rails and center support, use the **spacer** to determine spacing between slats as shown. Assembly is now complete.

CLEANING AND CARE

Clean surfaces with a dry or damp soft cloth.
Do not use abrasive cleaners.