



Thank you for purchasing the **Caliente Coffee Table**. This page lists all the contents included in the box. Please take the time to identify the hardware as well as the individual components to this product. As you unpack and prepare for assembly, place the contents on a carpeted or padded area to protect them from damage.

Note: 2 people are required to safely assemble this product.

hardware



8 - bolts



8 - hex nuts



4 - adjustable feet

Missing hardware?
Please call **800.606.6387** for replacements.

tools required



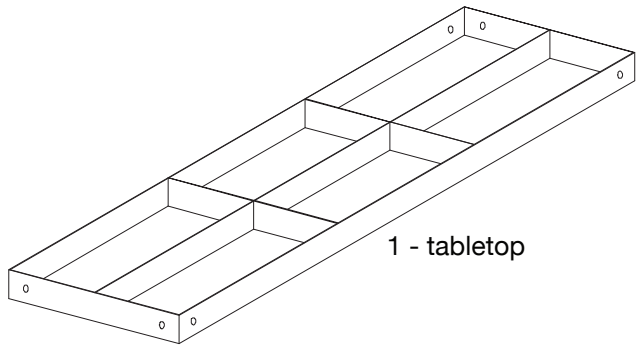
hex wrench



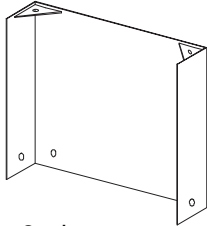
allen wrench

Note: We recommend the use of hand tools instead of power tools.

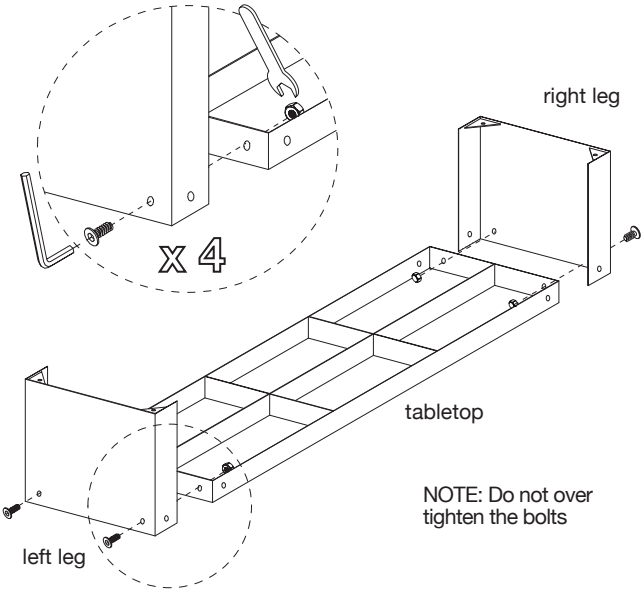
components



1 - tabletop



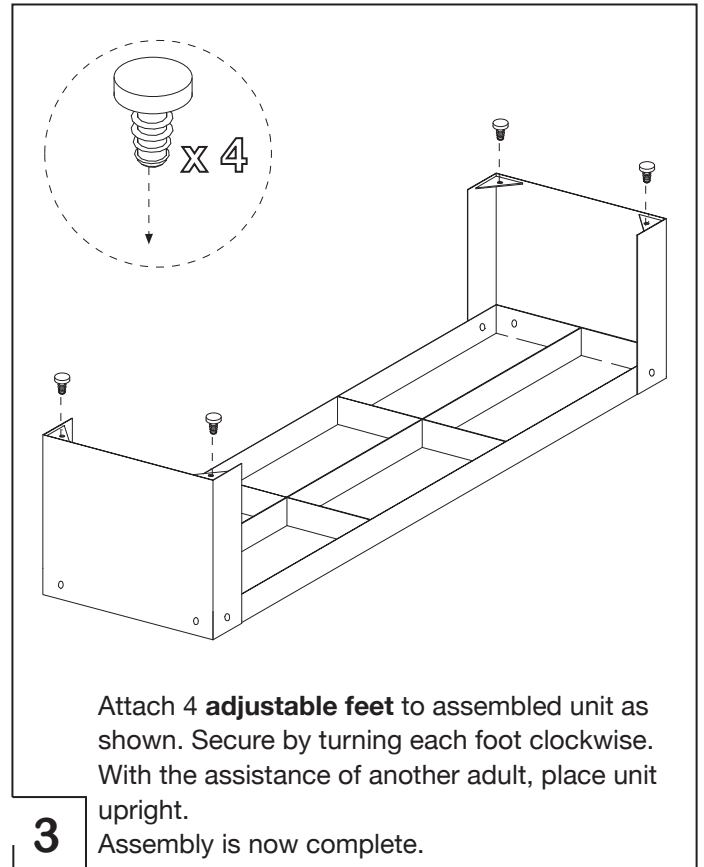
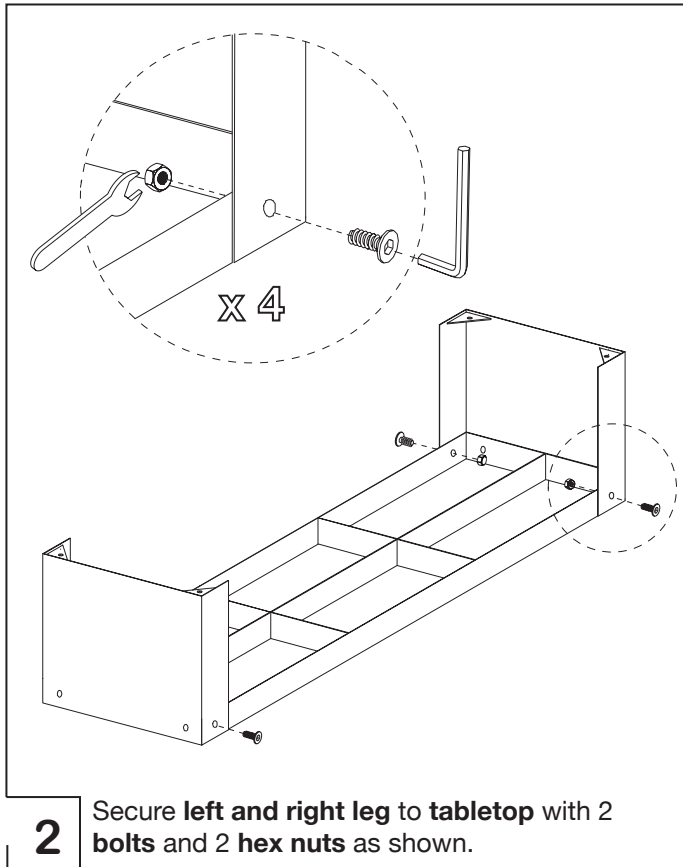
2 - legs
(1 left, 1 right)



NOTE: Do not over tighten the bolts

With the assistance of another adult, place **tabletop** onto a clean, padded surface. Attach **left and right leg to tabletop** with 2 **bolts** and 2 **hex nuts**. Secure, but do not over tighten, using a **hex wrench** and **allen wrench** turning 1 clockwise and 1 counter-clockwise as shown.

1



cleaning & care

Clean surfaces with a dry or damp soft cloth. Do not use abrasive cleaners. It is recommended to use coasters to protect surface from heat and water.