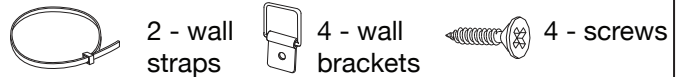


Thank you for purchasing the **Boxcar Credenza**. This page lists all the contents included in the box. Please take the time to identify the hardware as well as the individual components to this product. As you unpack and prepare for assembly, place the contents on a carpeted or padded area to protect them from damage. Note: 2 people are required to safely assemble this product.

assembly hardware



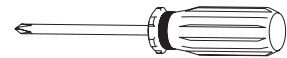
anti-tip hardware



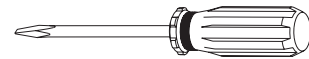
Missing hardware? Please call **800.606.6387** for replacements.

tools required

phillips head screwdriver



flat head screwdriver



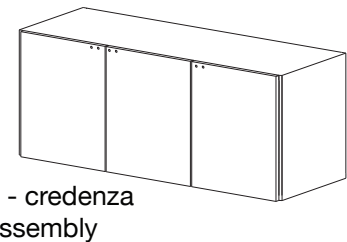
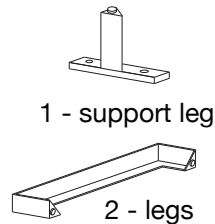
allen wrench (included)



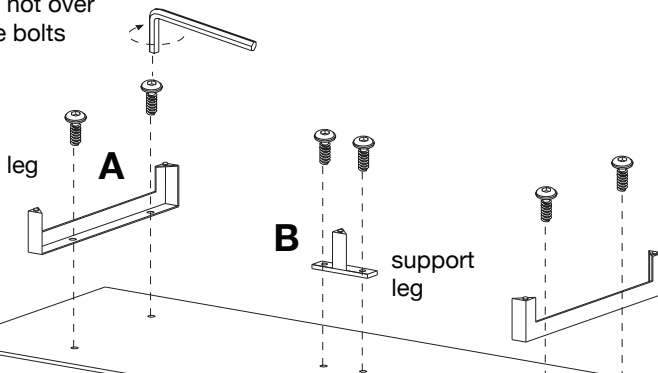
(We recommend the use of hand tools instead of power tools)

components

3 - pulls



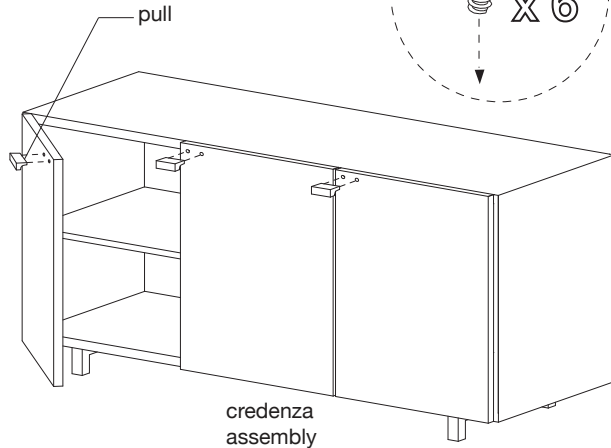
NOTE: Do not over tighten the bolts



A. With the assistance of another adult, place **credenza assembly** upside down onto a clean, padded surface as shown. Attach 2 **legs** to **credenza assembly** with 2 **leg bolts** per **leg** as shown. Secure, but do not over tighten, screws using an **allen wrench**.
 B. Attach **support leg** to **credenza assembly** with 2 **bolts** as shown.

1

NOTE: Do not over tighten the screws

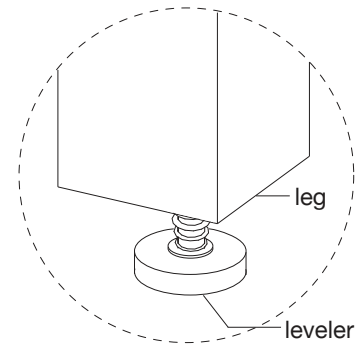


With the assistance of another adult, carefully position unit upright. Attach 3 **pulls** to **credenza assembly** with 2 **pull bolts** per **pull** as shown. Secure, but do not over tighten, the screws using a **flat head screwdriver**.

2

Assembly is now complete.

leveler adjustment



NOTE: This table comes with pre-attached levelers. Please do the following if your credenza is not level or if your doors appear misaligned.

With the assistance of another adult, adjust levelers of each leg as necessary.

cleaning and care

Clean surfaces with a dry soft cloth. Do not use abrasive cleaners. Furniture wax can be used, as this item has already been finished with a natural wax over a protective clear lacquer. It is recommended to use coasters to protect surface from heat and water.

anti-tipping assembly

For added safety and stability, it is recommended that the anti-tipping hardware be installed. Mount to wood studs whenever possible. For safe mounting, it is essential to use wall anchors appropriate to your wall type (i.e. plaster, drywall, concrete, etc.).

- A. Attach 1 **wall bracket** to the top of the assembled unit with 1 **screw** as shown, using a **phillips head screwdriver**.
- B. With the assistance of another adult, place the unit in desired location against the wall. Mark position on the wall, approximately 2" below the wall bracket mounted to the back of the unit. Move the unit out of the work-space.
- C. Drill a hole in the wall stud. If the wall stud is not available, use the appropriate anchor for your wall type. Attach **wall bracket** to the wall by inserting 1 **screw**.
- D. Place the unit back into position against the wall. Lace one end of the **wall strap** through both brackets, and into the other end of the strap.
- E. Pull the strap tightly until secure.

Anti-tipping assembly is now complete.

NOTE: If you are unsure about your wall type or what mounting method you should use, consult a qualified professional or your local hardware store.

