

Thank you for purchasing the **Acacia Low Dresser**. This page lists all the contents included in the box. Please take the time to identify the hardware as well as the individual components to this product. As you unpack and prepare for assembly, place the contents on a carpeted or padded area to protect them from damage.

Note: 2 people are required to safely assemble this product.

hardware

16 -cams 12 -wood dowels 16 -cam screws

20 -bolts 32 - screws

Missing hardware?
Please call **800.606.6387** for replacements.

tools required

phillips head screwdriver

Note: We recommend the use of hand tools instead of power tools.

components

1 - top panel

1 - bottom panel

1 - back panel

2 - side panels (1 left, 1 right)

1 - center panel (glides on both sides)

4 - drawer backs

4 - drawer fronts (2 left, 2 right)

4 - drawer bottoms

8 - drawer sides (4 left, 4 right)

5 - legs

1 Secure each **leg** to **bottom panel** with 4 **bolts** using a **phillips head screwdriver**.

NOTE: Do not over tighten screws

2 Insert 8 **cam screws** and 6 **wood dowels** into bottom assembly as shown. Secure, but do not overtighten, screws with screwdriver.

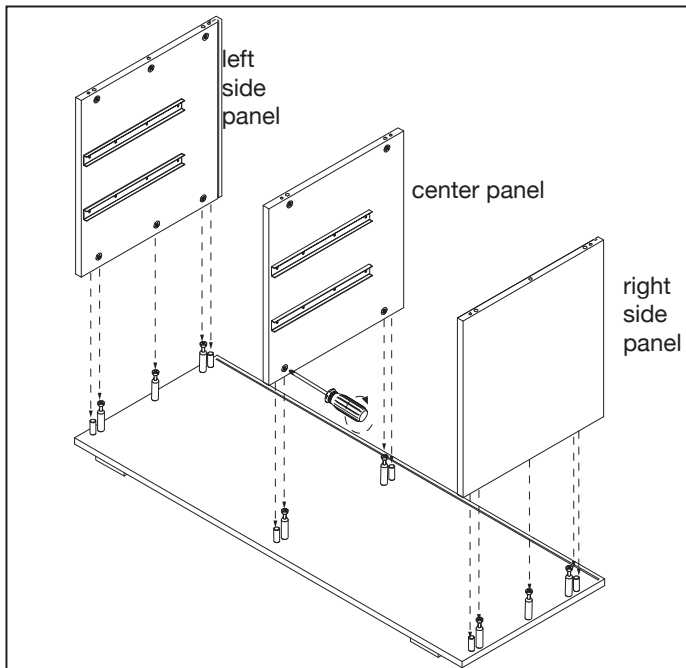
NOTE: Make sure arrows on each cam points toward nearest edge with holes

3

A Insert 6 **cams** into **left and right side panels** as shown. Make sure arrows on each cam points toward nearest edge with holes as shown.

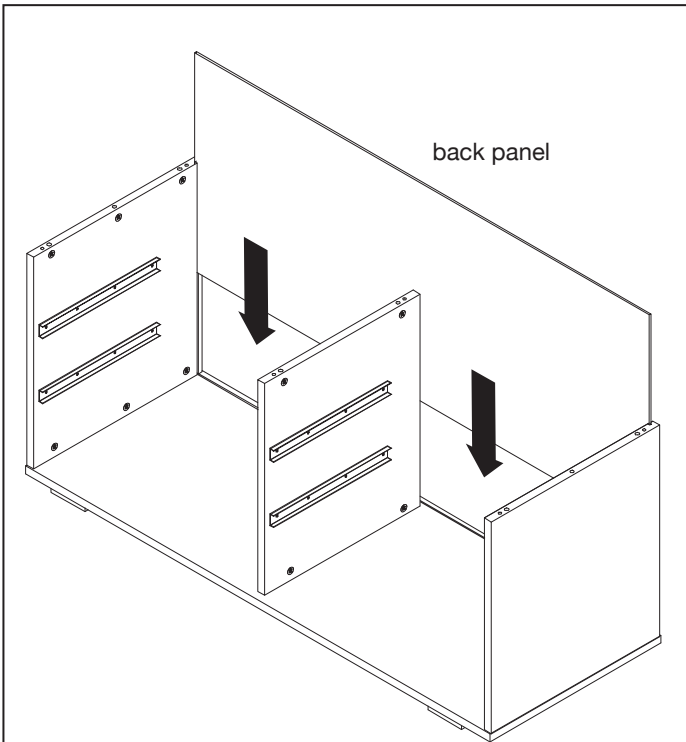
B Insert 4 **cams** into the **center panel**.

4 Insert 8 **cam screws** and 6 **wood dowels** into **top panel** as shown. Secure with screwdriver.



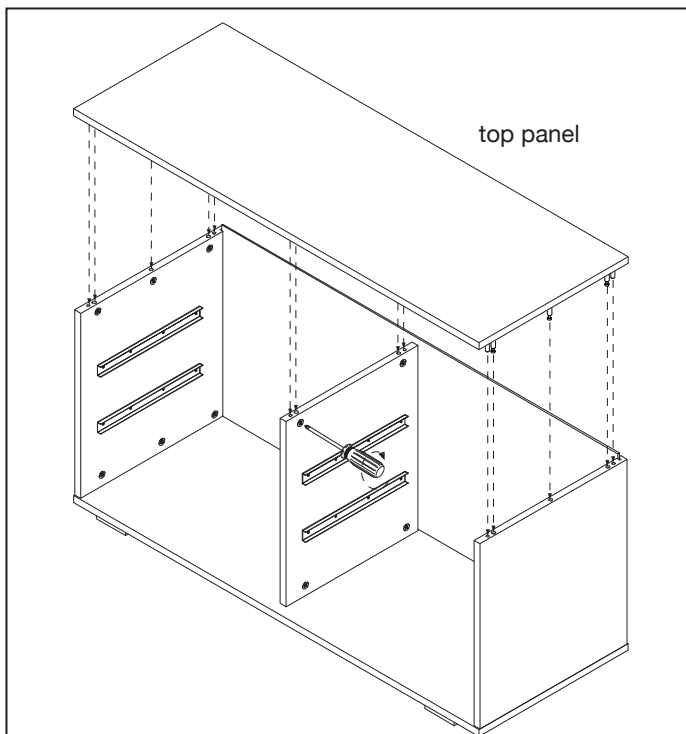
Fit dowels and cam screws of bottom assembly into corresponding holes of **center, left and right side panels** as shown. Make sure glides on side and center panels extend out away from the groove in the back panel. With a screwdriver, turn each **cam** clockwise until it securely engages each cam screw.

5



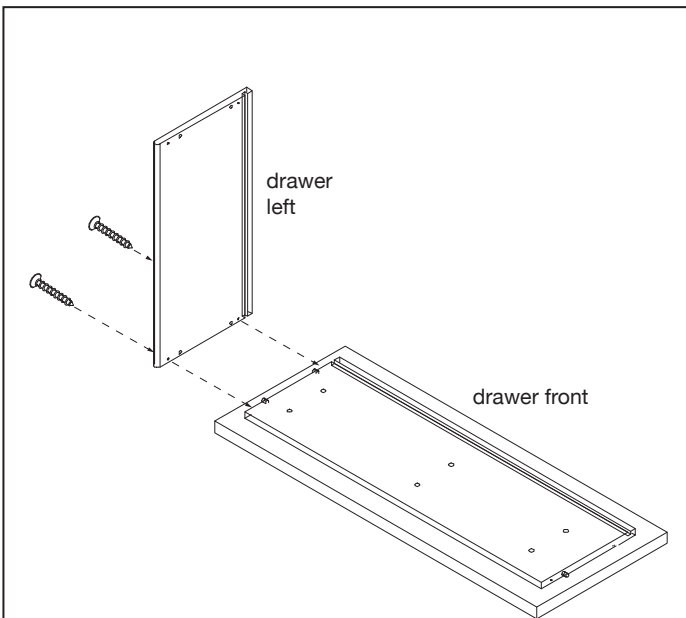
With the assistance of another adult, slide **back panel** down into grooves in side and bottom panels as shown.

6



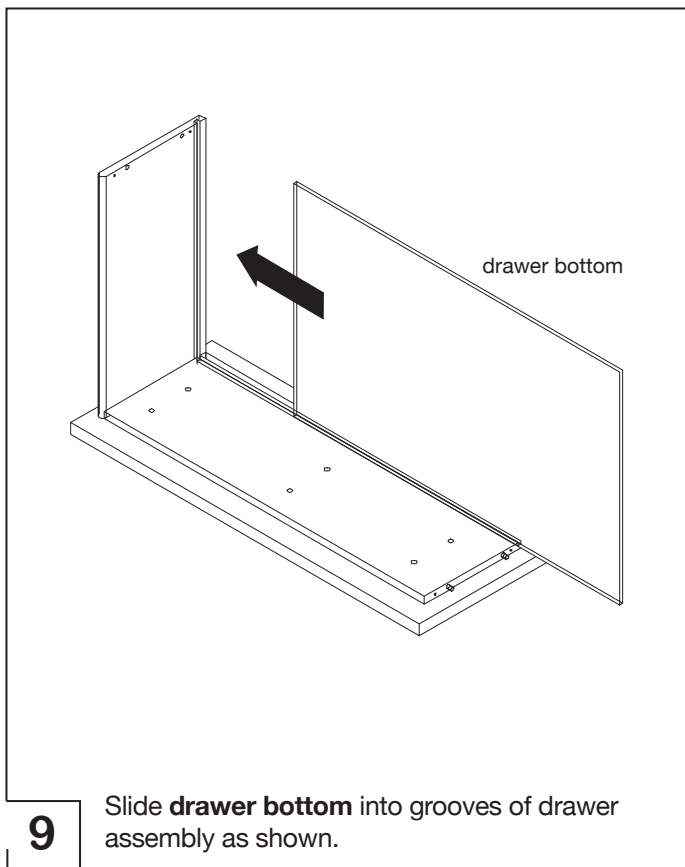
Fit dowels and cam screws of **top panel** into corresponding holes in assembled unit as shown. Make sure the groove in the top panel fits over the back panel. Secure all **cams**.

7



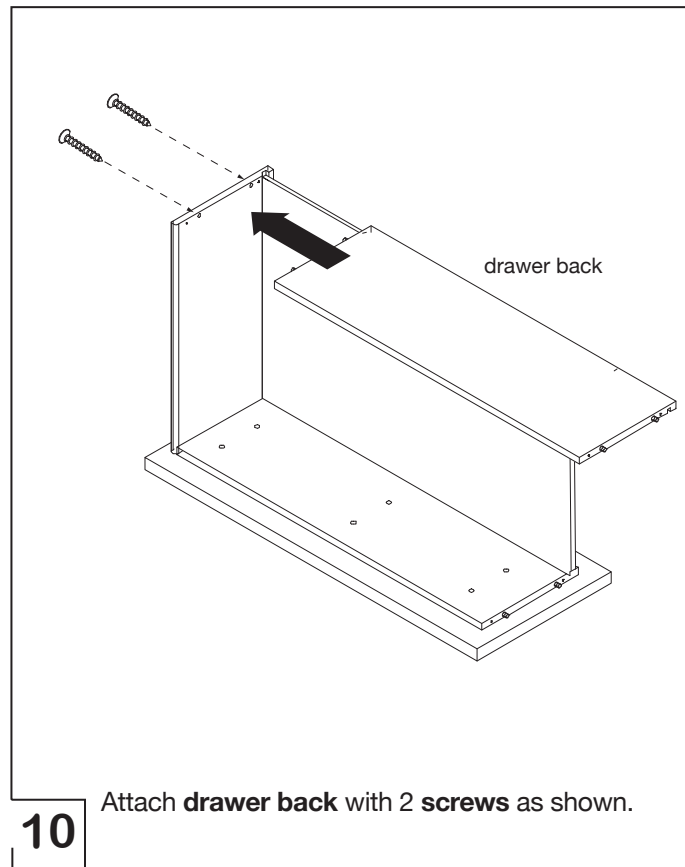
Place **drawer front** face down on clean, padded surface as shown. Make sure the open end of the glide on the drawer side panel is positioned towards the back of the drawer. Attach **drawer left side** with 2 **screws** as shown. Secure screws with a screwdriver.

8



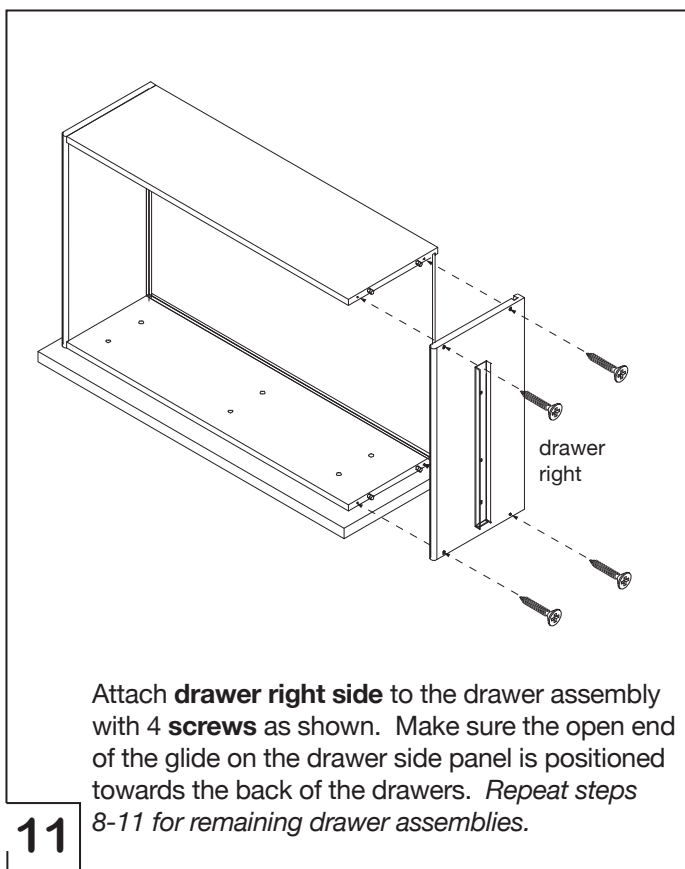
9

Slide **drawer bottom** into grooves of drawer assembly as shown.



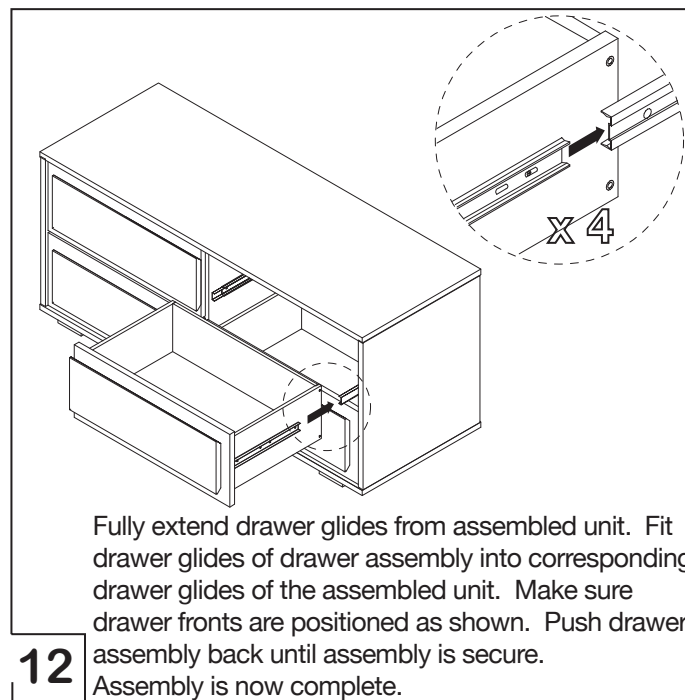
10

Attach **drawer back** with 2 **screws** as shown.



11

Attach **drawer right side** to the drawer assembly with 4 **screws** as shown. Make sure the open end of the glide on the drawer side panel is positioned towards the back of the drawers. *Repeat steps 8-11 for remaining drawer assemblies.*



12

Fully extend drawer glides from assembled unit. Fit drawer glides of drawer assembly into corresponding drawer glides of the assembled unit. Make sure drawer fronts are positioned as shown. Push drawer assembly back until assembly is secure. Assembly is now complete.

cleaning and care

Clean surfaces with a dry or damp soft cloth. Do not use abrasive cleaners. Do not use furniture wax or polish as the unit is finished with a protective clear lacquer. It is recommended to use coasters to protect surface from heat and water.