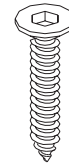


Thank you for purchasing the **Bengal Coffee Table**. This page lists all the contents included in the box. Please take time to identify the hardware as well as the individual components of this product. As you unpack and prepare for assembly, place the contents on a carpeted or padded area to protect them from damage.

NOTE: 2 people are required to safely assemble this product.

hardware



8 - screws

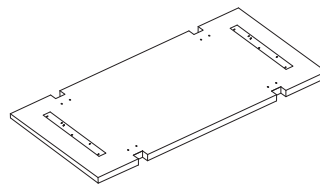
Missing hardware? Please call **800.606.6387** for replacements.

tools required

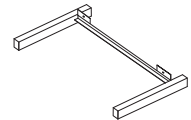


allen wrench (included)

components

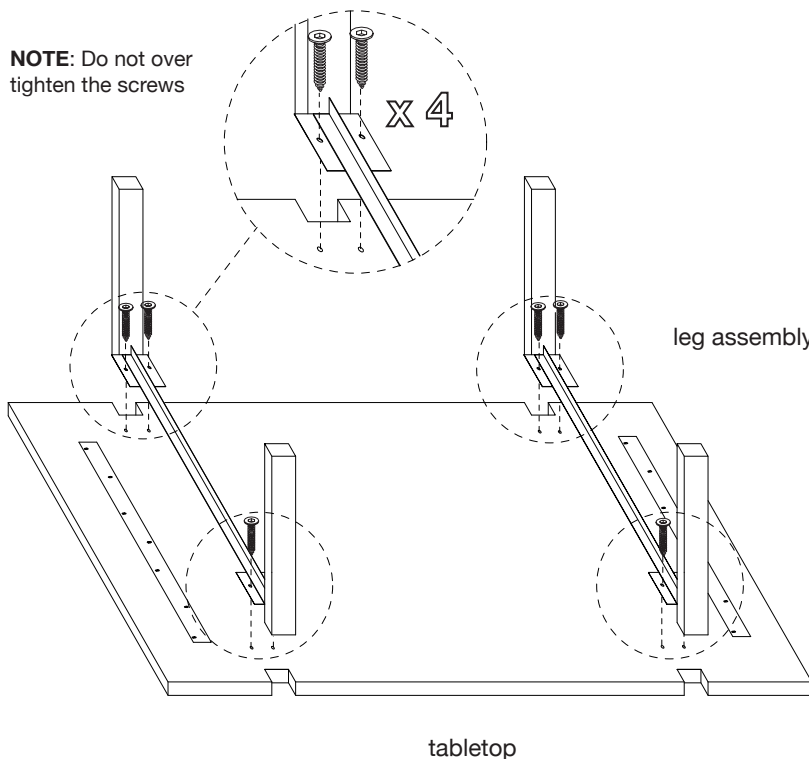


1 - tabletop



2 - leg assemblies

NOTE: Do not over tighten the screws



With the assistance of another adult, carefully place tabletop upside down onto a clean, padded surface. Fit each **leg assembly** into corresponding slot of **tabletop** as shown. Attach each **leg assembly** with 4 **screws**. Secure, but do not over tighten, the screws using an **allen wrench**. Position assembled unit upright.

Assembly is now complete.

1

characteristics

Each table is unique and special. Each top is made of reclaimed Sal wood from railroad ties and the legs are individually handcrafted. The table top is kiln dried to minimize movement however any minor cracks may open slightly over time. This is a characteristic of the reclaimed wood and will not affect the stability of the table.

cleaning & care

Clean with damp cloth; do not use glass cleaner. For soil build-up, wipe with damp cloth and dry. Clean soil build-up with mild soap and water, then dry. Table top is unfinished and raw, so staining is inherent to this top. Beeswax may be applied to the surface of the table for a little extra protection, however this will darken the wood.