

Thank you for purchasing the **Axis Storage Unit Right**. This page lists all the contents included in the box. Please take the time to identify the hardware as well as the individual components to this product. As you unpack and prepare for assembly, place the contents on a carpeted or padded area to protect them from damage.

hardware



4 - cams



4 - cam screws



8 - wood dowels



4 - shelf pins



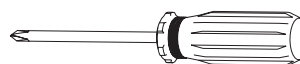
4 - cam covers



4 - bolts

Missing hardware?
Please call **800.606.6387** for replacements.

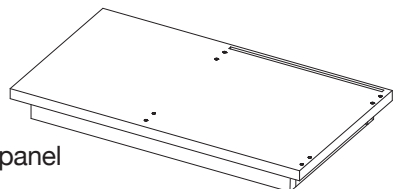
tools required



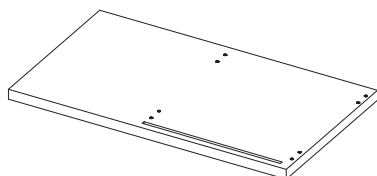
Phillips head screwdriver

(We recommend the use of hand tools instead of power tools)

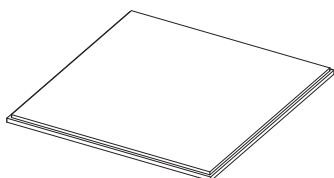
components



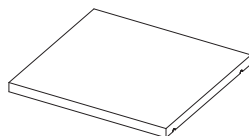
1 - bottom panel



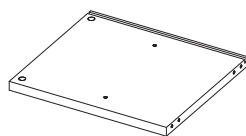
1 - top panel



1 - back panel

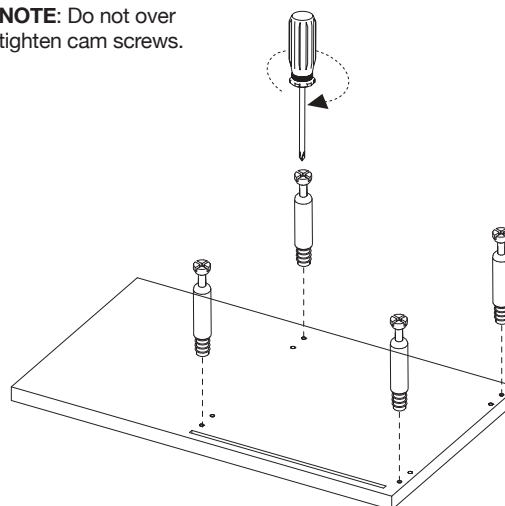


1 - shelf



2 - side panels
(1 right, 1 left)

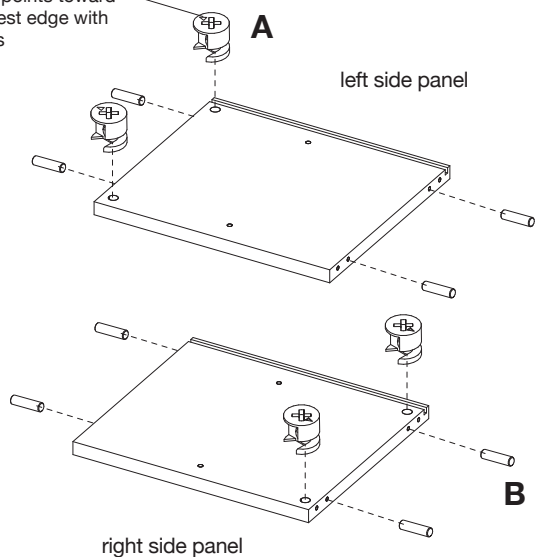
NOTE: Do not over tighten cam screws.



Place **top panel** onto a clean, padded surface. Insert 4 **cam screws** as shown. Secure, but do not over tighten screws with a **Phillips head screwdriver**.

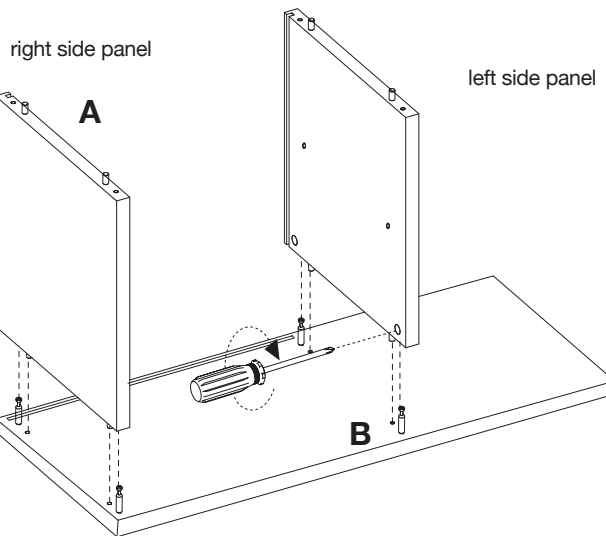
1

NOTE: Make sure arrows on each cam points toward nearest edge with holes



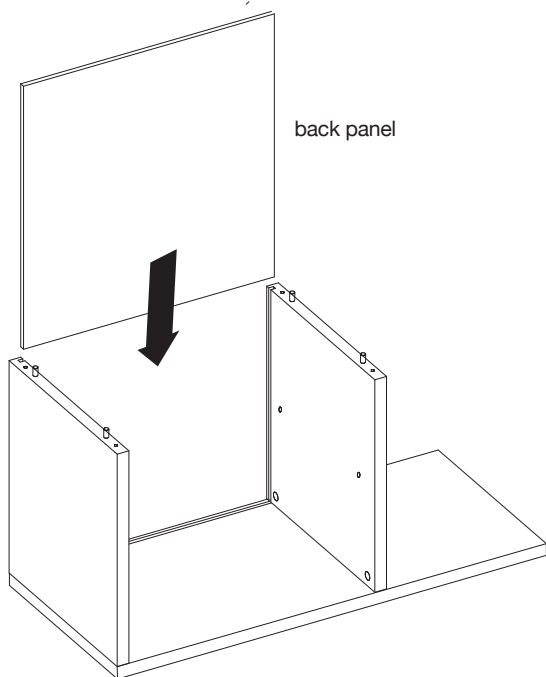
A) Insert 2 **cams** into each **side panel**, making sure arrow on cam points towards the nearest edge with holes.
 B) Insert 4 **wood dowels** into each side panel as shown.

2



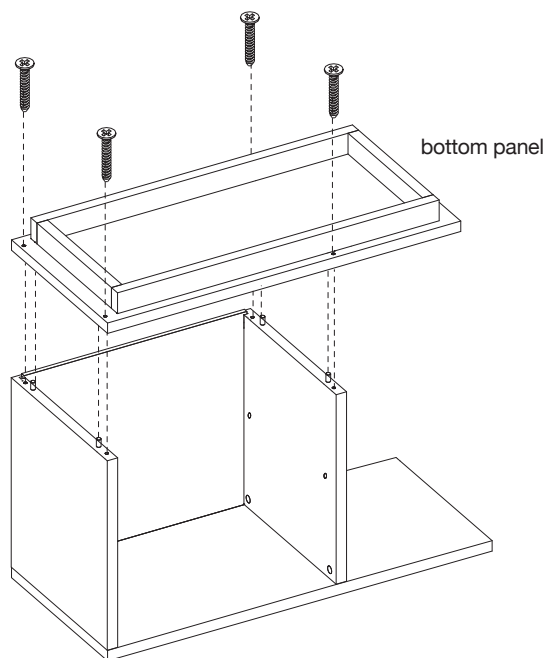
A) Fit dowels of **right and left side panels** into corresponding holes of **top panel** as shown.
 B) Secure assembly by turning each **cam** clockwise with a screwdriver until each cam securely engages each cam screw.

3



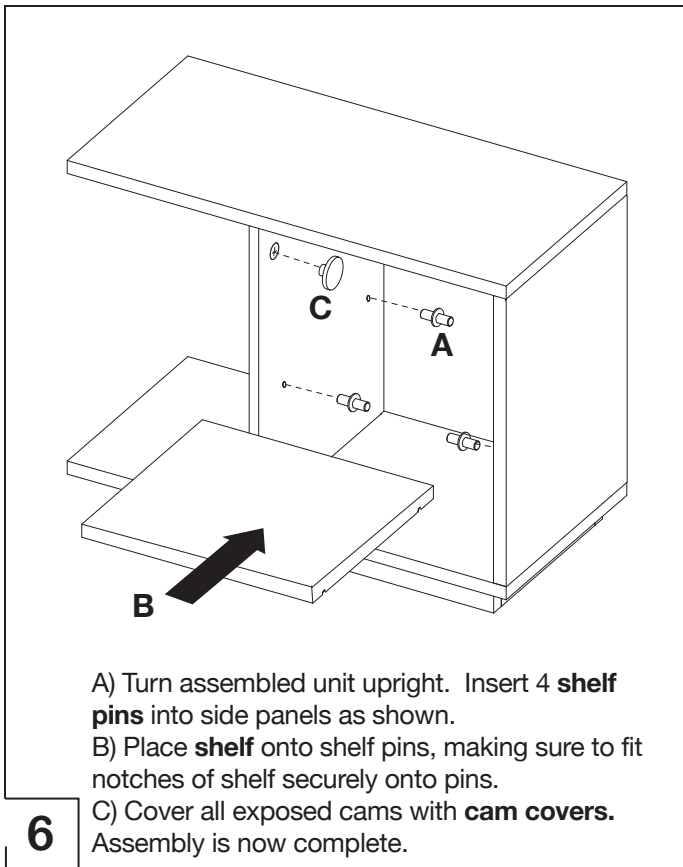
Align edge of **back panel** with grooves in side and top panels and slide into position as shown.

4



Position **bottom panel** as shown and fit onto dowels of assembly. Attach with 4 **bolts** and secure with a screwdriver.

5



cleaning & care

Clean surfaces with a dry or damp soft cloth. Do not use abrasive cleaners.



hardware



4 - cams



4 - cam screws



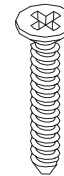
8 - wood dowels



4 - shelf pins



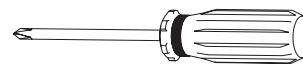
4 - cam covers



4 - bolts

Missing hardware?
Please call **800.606.6387** for replacements.

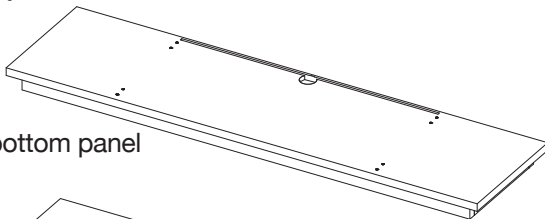
tools required



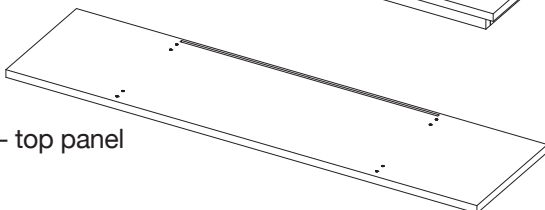
Phillips head screwdriver

(We recommend the use of hand tools instead of power tools)

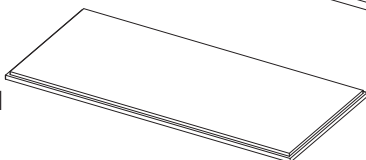
components



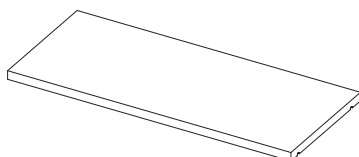
1 - bottom panel



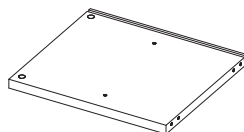
1 - top panel



1 - back panel

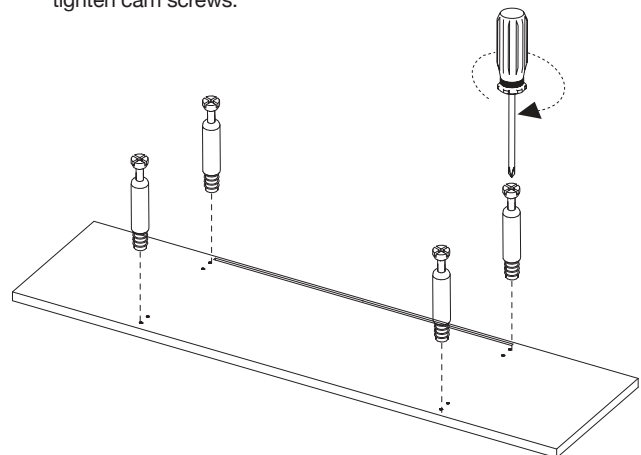


1 - shelf



2 - side panels
(1 right, 1 left)

NOTE: Do not over tighten cam screws.



Place **top panel** onto a clean, padded surface. Insert 4 **cam screws** as shown. Secure, but do not over tighten screws with a **Phillips head screwdriver**.

1

NOTE: Make sure arrows on each cam points toward nearest edge with holes

left side panel

right side panel

A

B

2

A) Insert 2 **cams** into each **side panel**, making sure arrow on cam points towards the nearest edge with holes.

B) Insert 4 **wood dowels** into each side panel as shown.

right side panel

left side panel

A

B

3

A) Fit dowels of **right and left side panels** into corresponding holes of **top panel** as shown.

B) Secure assembly by turning each **cam** clockwise with a screwdriver until each cam securely engages each cam screw.

back panel

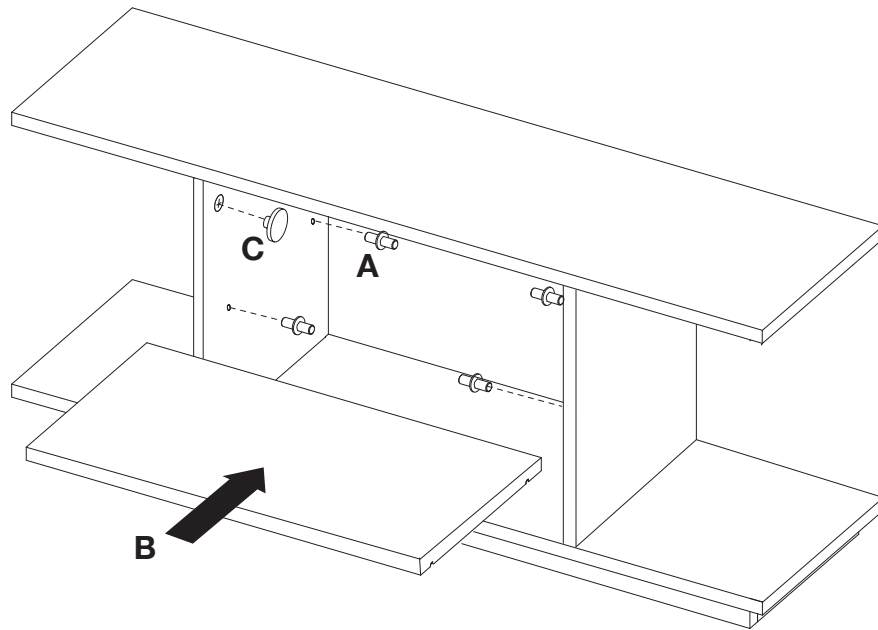
4

Align edge of **back panel** with grooves in side and top panels and slide into position as shown.

bottom panel

5

Position **bottom panel** as shown and fit onto dowels of assembly. Attach with 4 **bolts** and secure with a screwdriver.



- 6**
- A) With assistance of another adult, turn assembled unit upright. Insert 4 **shelf pins** into side panels as shown.
 - B) Place **shelf** onto shelf pins, making sure to fit notches of shelf securely onto pins.
 - C) Cover all exposed cams with **cam covers**.
- Assembly is now complete.

cleaning & care

Clean surfaces with a dry or damp soft cloth. Do not use abrasive cleaners.