



Thank you for purchasing the **Array Bookcase**. This page lists all the contents included in the box. Please take the time to identify the hardware as well as the individual components to this product. As you unpack and prepare for assembly, place the contents on a carpeted or padded area to protect them from damage.  
Note: 2 people are required to safely assemble this product.

## hardware



2 - bolts

Missing hardware?  
Please call **800.606.6387** for replacements.

## tools required

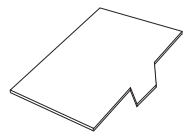


allen wrench (included)

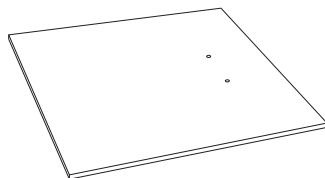
## components



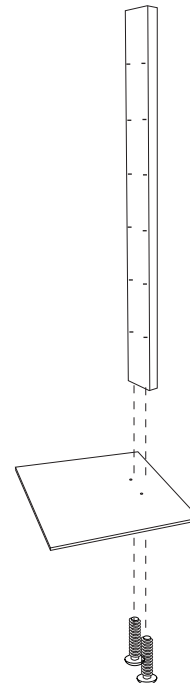
1 - stand



10 - shelves

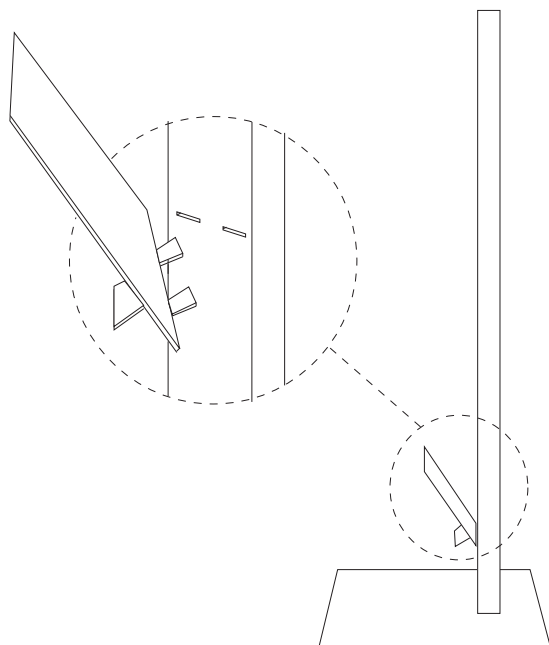


1 - base



**1**

Attach **stand** to **base** with 2 **bolts** using an **allen wrench**.



Attach 10 **shelves** into stand by aligning notches on shelves with slots on stand. Position each shelf at 90 degrees to insert notches into stand, pull each shelf down to secure. Assembly is now complete.

2

## cleaning & care

Clean surfaces with a dry or damp soft cloth. Do not use abrasive cleaners.