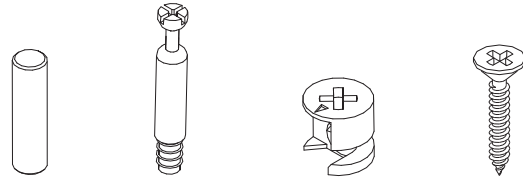


Thank you for purchasing the **Acacia Nightstand**. This page lists all the contents included in the box. Please take the time to identify the hardware as well as the individual components to this product. As you unpack and prepare for assembly, place the contents on a carpeted or padded area to protect them from damage.
 Note: 2 people are required to safely assemble this product.

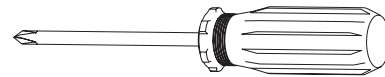
hardware



12 - wood dowels 12 - cam screws 12 - cams 8 - screws

Missing hardware?
 Please call **800.606.6387** for replacements.

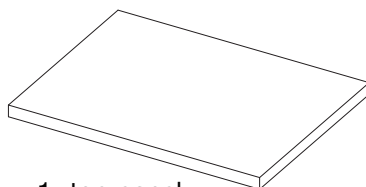
tools required



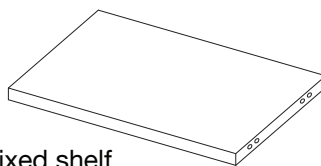
Phillips head screwdriver

NOTE: We recommend the use of hand tools instead of power tools.

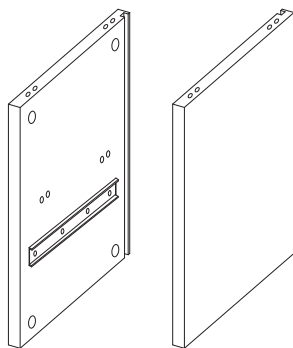
components



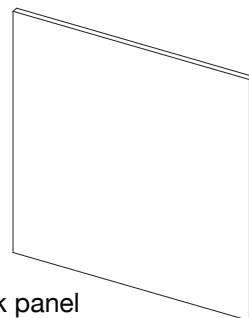
1 - top panel



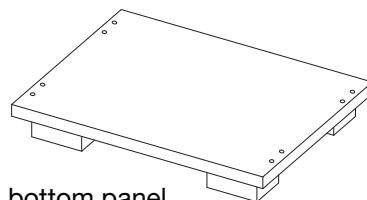
1 - fixed shelf



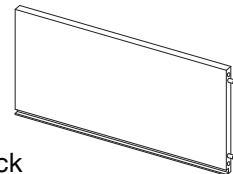
2 - side panels
 (1 left, 1 right)



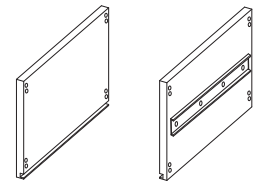
1 - back panel



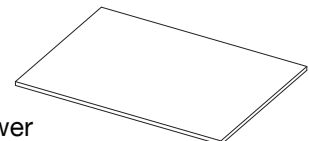
1 - bottom panel



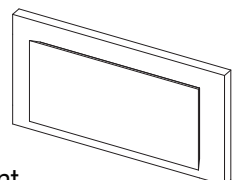
1 - drawer back



2 - drawer sides
 (1 left, 1 right)



1 - drawer bottom panel



1 - drawer front

NOTE: Make sure arrows on each cam points toward nearest edge with holes.

left and right side panels
X 2

1 Insert 4 **wood dowels**, 2 **cam screws**, and 4 **cams** into **left and right side panels** as shown. Make sure arrows on each cam points toward nearest edge with holes as shown.

A bottom panel

B top panel

C fixed shelf

2 A. Insert 4 **cam screws** into **bottom panel** as shown.
B. Insert 4 **cam screws** into **top panel**.
C. Insert 4 **cams** and 4 **wood dowels** into **fixed shelf**.

NOTE: Make sure the groove on the side panels face each other as shown.

left side panel

fixed shelf

right side panel

3 Fit dowels of **fixed shelf** into corresponding holes of side panels as shown. Make sure **cams** of fixed shelf are positioned toward the glides as shown. With a screwdriver, turn each **cam** clockwise until it securely engages each cam screw.

bottom panel

4 Fit dowels of assembled unit into corresponding holes of **bottom panel**. Secure all **cams**.

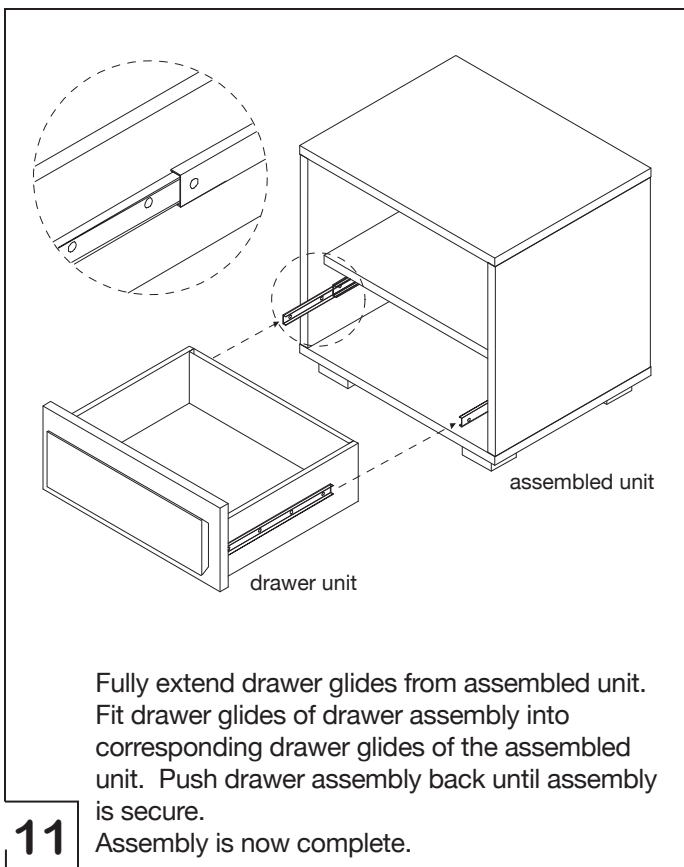
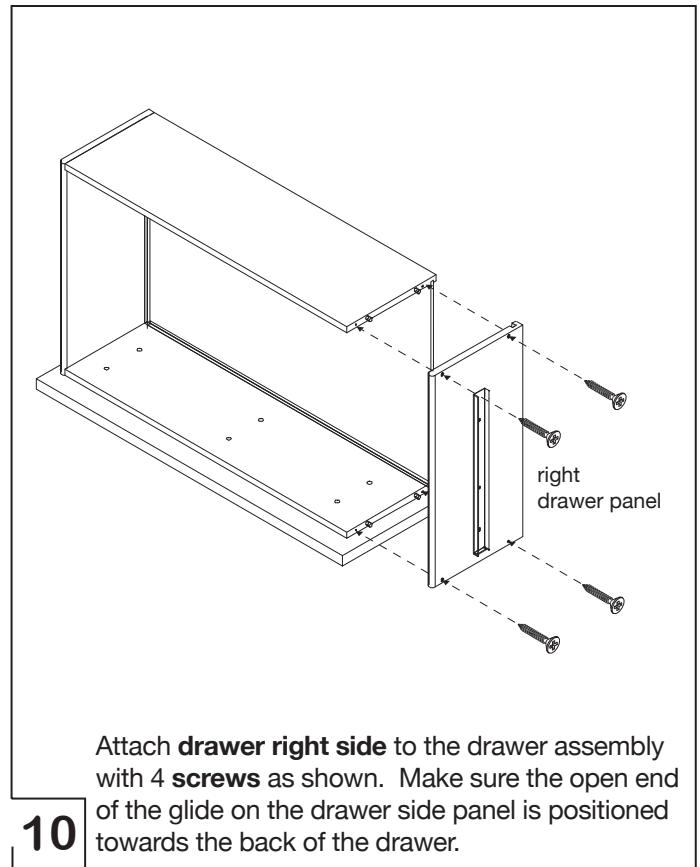
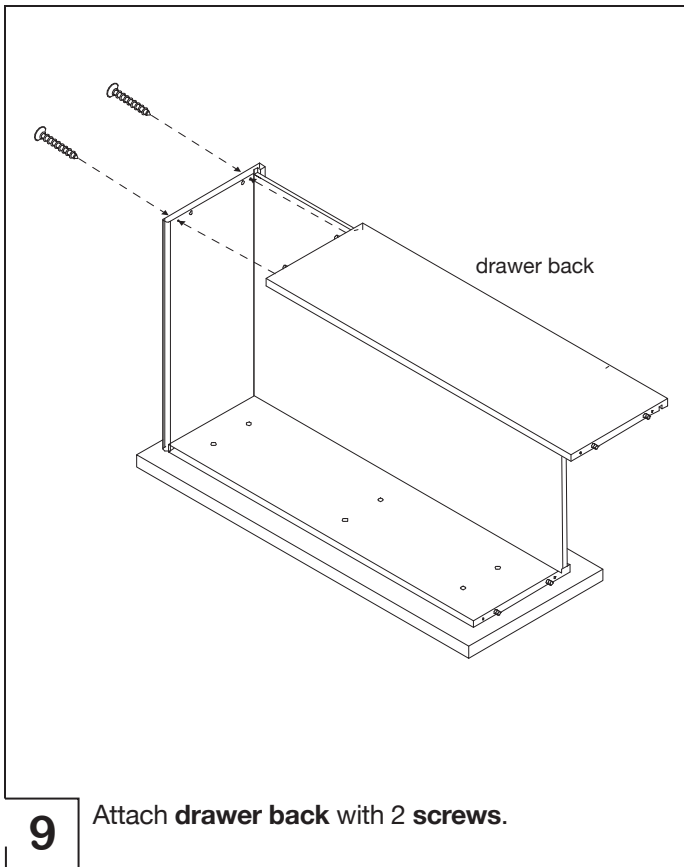
NOTE: Make sure the groove on the bottom panel is on the same side as the grooves on the side panels.

5 With the assistance of another adult, position unit upright as shown. Slide **back panel** down into grooves of side and bottom panels as shown.

6 Fit dowels of assembled unit into corresponding holes in **top panel** as shown. Make sure the groove in the top panel fits over the back panel. Secure all **cams**.

7 Place **drawer front** face down on clean, padded surface as shown. Attach **drawer left side** with 2 **screws** as shown. Make sure the open end of the glide on the drawer side panel is positioned towards the back of the drawer. Secure screws with a screwdriver.

8 Slide **drawer bottom** into grooves of drawer assembly as shown.



cleaning & care

Clean surfaces with a dry or damp soft cloth. Do not use abrasive cleaners. Do not use furniture wax or polish as the unit is finished with a protective clear lacquer. It is recommended to use coasters to protect surface from heat and water.